

Mi Smart Standing Fan Pro User Manual	1
Manual de Usuario de Mi Smart Standing Fan Pro	12
Руководство пользователя Напольного смарт-вентилятора Mi Pro	23
Manuel d'utilisation de Mi Smart Standing Fan Pro	34
Mi Intelligenter Standventilator Pro Benutzerhandbuch	45
Manuale utente Mi Smart Standing Fan Pro	56
دليل المستخدم لـ مروحة عمودية ذكية برو من Mi	67
WARRANTY NOTICE	78
AVISO DE GARANTÍA	80
ГАРАНТИЙНОЕ УВЕДОМЛЕНИЕ	82
GARANTIE	85
GARANTIEERKLÄRUNG	87
AVVISO SULLA GARANZIA	90
إشعار الضمان	92



# Safety Instructions

Read this manual carefully before use, and retain it for future reference.

---

## Warnings

Improper use may lead to electric shocks, fire, personal injury, or other damage.

---

- ⊗ This appliance can be used by children aged from 8 years and above and persons with reduced physical, sensory or mental capabilities or lack of experience and knowledge if they have been given supervision or instruction concerning use of the appliance in a safe way and understand the hazards involved. Children shall not play with the appliance. Cleaning and user maintenance shall not be made by children without supervision. (For European countries or regions)
- ⊗ This appliance is not intended for use by persons (including children) with reduced physical, sensory or mental capabilities, or lack of experience and knowledge, unless they have been given supervision or instruction concerning use of the appliance by a person responsible for their safety. Children should be supervised to ensure that they do not play with the appliance. (For no European countries or regions)
- ⊗ Children should be supervised to ensure that they do not play with the appliance.
- ⊗ Battery is not replaceable.
- ⊗ The appliance is only to be used with the power supply unit provided with the appliance.
- ⊗ Do not use this fan in a place where it will easily fall over or where there are other unstable objects nearby.
- ⊗ Do not use this fan in hot and humid environments such as a bathroom.
- ⊗ Do not use this fan if the power cord is damaged or its power plug is loose.
- ⊗ Do not use this fan if its front grille is not installed, or its rear grille is loose or fell off.
- ⊗ Do not allow children or adults who are incapable of operating this fan to use this product.
- ⊗ Do not attempt to disassemble or repair this fan by yourself.
- ⊗ Do not excessively pinch, bend, or twist the power cord as this may expose or break its core.
- ⊗ Do not insert your fingers or any object into the front grille, rear grille, or the fan blades when the fan is in use.
- ⊗ Keep hair and fabrics away from the fan to avoid getting them caught in the fan.
- ⊗ Do not use any improper power outlet.
- ⊗ Do not use the charging base provided with this fan for any other device.
- ⊗ When maintaining and cleaning, disassemble the fan base before removing other parts. Make sure you install the fan base last when assembling the fan.
- ⊗ Under normal use of condition, this equipment should be kept a separation distance of at least 20cm between the antenna and the body of the user.
- ⊗ Ensure that the fan is switched off from the supply mains before removing the guard.

- ⊗ If the supply cord is damaged, it must be replaced by the manufacturer, its service agent or similarly qualified persons in order to avoid a hazard.
- ⊗ Do not strike, crush, and drop the product, or expose it to pressure.
- ⊗ Keep the product away from water and heat sources.
- ⊗ Do not use this product in environments where the temperatures and humidity are extremely high. Avoid direct sunlight.
- ⊗ Do not remove, disassemble, or destroy the battery.
- ⊗ Do not charge this product for an extended period of time when it is not in use.
- ⊗ This appliance contains batteries that are non-replaceable.

## Precautions

### Installation

---

- ⚠ To avoid electric shocks, fire, personal injury, or other damage, please strictly follow the installation steps instructed by the user manual, and make sure the fan base is assembled in the last step.
- ⚠ Do not connect the fan to a power outlet or the charging base if it is not completely assembled.
- ⚠ Turn off or unplug the fan before installing or disassembling it. Do not connect the charging base nor touch the buttons to prevent the fan from running and causing danger.

### Transportation

---

- ⚠ Firmly hold the fan stand to avoid it from falling down and causing personal injury.

### Using the Fan

---

- ⚠ Immediately stop using the fan if it makes unusual sounds, gives off bad odors, overheats, or rotates irregularly.
- ⚠ Do not lean on or tilt the fan while it is running.
- ⚠ Do not shake the fan's head repeatedly so as to avoid damage to the internal mechanism.

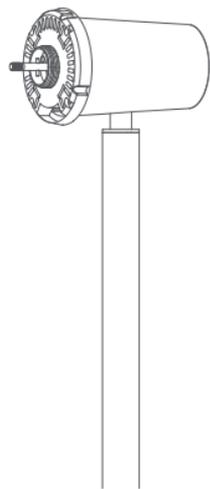
### Charging Base

---

- ⚠ To avoid any damage to the battery, charge the battery immediately by connecting the charging base when it is depleted.
- ⚠ Do not unplug the charging base by directly pulling at the cord or wiggling it out of the outlet. Instead, pull the plug out itself.
- ⚠ Do not attempt to repair the charging base by yourself if it is damaged.
- ⚠ If the charging base is damaged or broken, it must be replaced by a qualified one purchased from the manufacturer or after-sales service department.

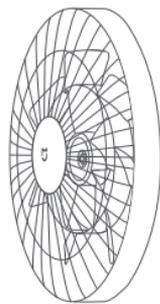
# Package Contents

---



1

Motor & Stand



2

Fan Assembly  
(front grille, fan blade  
assembly, rear grille)



3

Fan Base  
(with built-in lithium battery)



4

Fan Blade Assembly Knob



5

Rear Grille Knob



6

Allen Key



7

Base Bolt × 1



8

Fan Grille Screw × 1



9

Charging Base

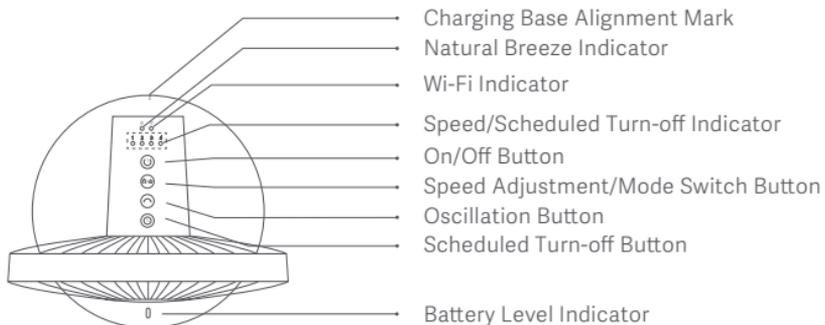


10

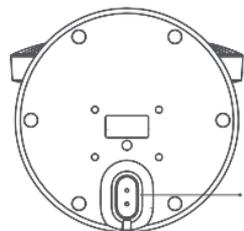
User Manual

Note: Illustrations of the product, accessories, and user interface in the user manual are for reference purposes only. The actual product and functions may vary due to product enhancements.

# Product Overview



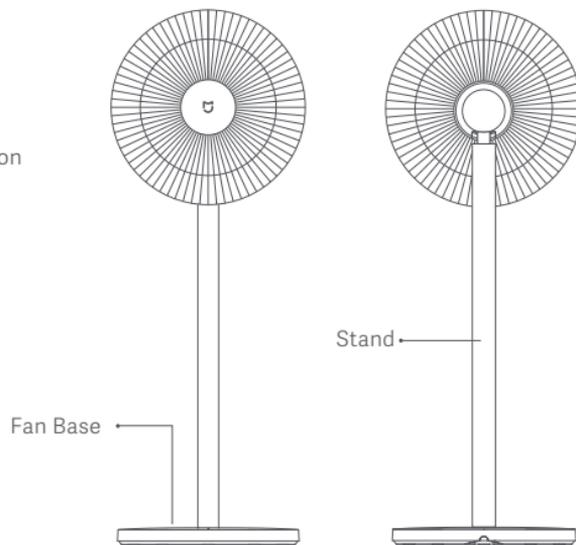
Top View



Underside of Fan Base



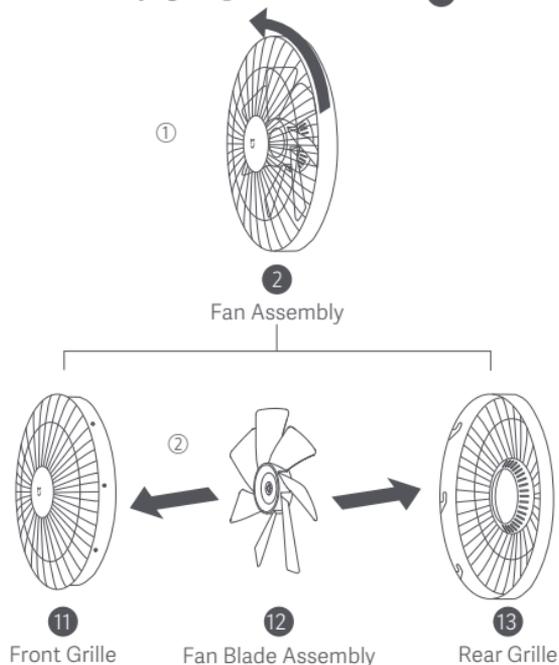
Charging Base



# Installation

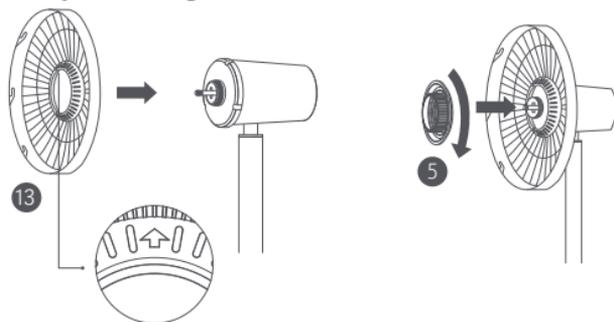
## Step 1: Open the fan assembly

Turn the **11** Front Grille counterclockwise until it separates from the **13** Rear Grille, as shown in figure **1**. Remove the front and rear grille as indicated by figure **2**, then take out the **12** Fan Blade Assembly.



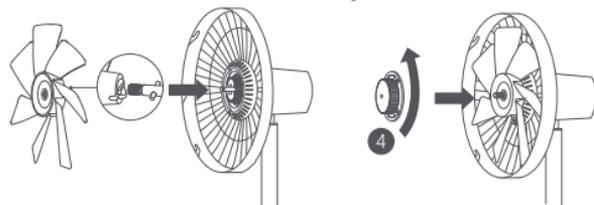
## Step 2: Install the rear grille

Install the **13** Rear Grille onto the motor's shaft with "↑" facing upwards, and then turn the **5** Rear Grille Knob clockwise to firmly fix the rear grille to the shaft.



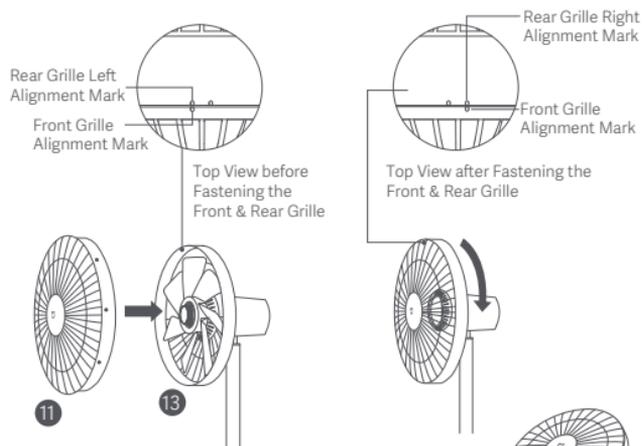
## Step 3: Install the fan blade assembly

Align the center hole of the fan blade assembly with the motor's shaft and install it onto the shaft, then install the **4** Fan Blade Assembly Knob onto the motor's shaft. Turn the knob counterclockwise to fix the fan blade assembly to the motor's shaft.



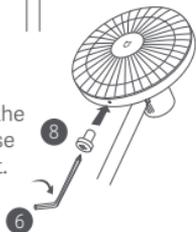
## Step 4: Install the front grille

Align the **11** Front Grille Alignment Mark with the **13** Rear Grille Left Alignment Mark, and make sure the front grille is properly embedded into the rear grille. Turn the front grille clockwise until the Front Grille Alignment Mark aligns the Rear Grille Right Alignment Mark. Make sure the grilles are securely fastened.

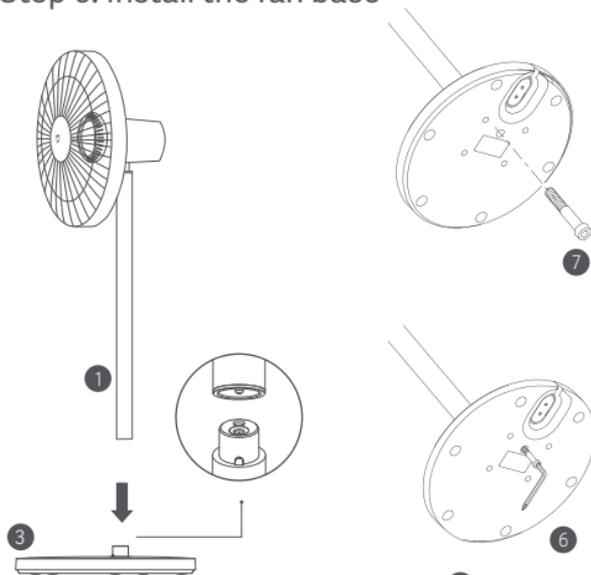


## Step 5: Fasten the front grille

Insert the **8** Fan Grille Screw into the hole at the bottom of the fan grille. Turn the screw clockwise by using the included **6** Allen key to tighten it.



## Step 6: Install the fan base



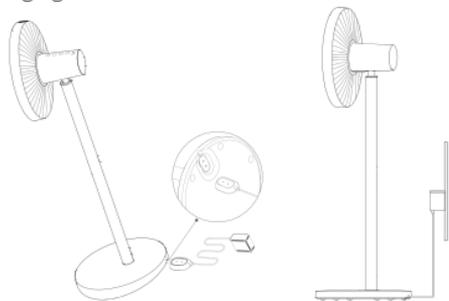
1. Install the **1** Motor & Stand onto the **3** Fan Base, as illustrated.

2. Insert the **7** Base Bolt in the hole on the bottom of the fan base, and tighten it clockwise with the **6** Allen key to complete the installation of the fan base.

# How to Use

## Charging

- It is recommended to fully charge the fan before use.
- Connect the charging base to the charging port on the bottom of the fan base, then plug in the charging base.
- When the battery level indicator is blinking, the fan is successfully connected to the charging base.
- You can use this fan by either connecting to a power outlet or not. The fan is equipped with a built-in Wi-Fi module, and energy consumption occurs even when it is turned off. Fully charge the fan then turn it off, the battery can last for approximately 2 days. To maintain optimal battery performance, it is recommended to keep charging the fan if it is not in use.



Connecting to a power outlet

Fan Status	Battery Level	Battery Level Indicator
On/Off	≤30%	Blinking orange
	30-100%	Blinking white
	100%	Off

Not connecting to a power outlet

Fan Status	Battery Level	Battery Level Indicator
On	30-100%	White
	1-30%	Orange
	0%	Off (The fan will automatically turn off)
Off	0-100%	Off

## Turning On/Off

### Turning On

Press the button  to start the fan. When turned on for the first time, the default speed is slow (1) and the mode is direct breeze.

### Turning Off

Press the button  to stop the fan while it is running.

## Switching Speed/Mode

### Switching Speed

Press the button  to adjust the speed, and the corresponding indicators will light up (see table below). After the fan is turned off and turned back on again, the speed will be the last used one.

Speed	Slow (1)	Medium (2)	Fast (3)	Turbo (4)
Indicator	★●●●	★●●●	★●●●	★●●●

Note: ★ means the indicator is on; ● means the indicator is off.

## Switching Mode

Press and hold the button  to switch between direct breeze and natural breeze. The indicator is off while in direct breeze mode and is on while in natural breeze mode. After the fan is turned off and turned back on again, the mode will be the last used one.

## Enable/Disable Oscillation

Press the button  to enable or disable oscillation. You can set the oscillation angle range in the app. After the fan is turned off and turned back on again, the oscillation setting will be the last used one.

Note: When the Wi-Fi connection is reset, the oscillation angle range will change to the default angle of 90°. Unplug then plug the fan in or reset the Wi-Fi connection, then turn on the fan. It will automatically oscillate its angle if enabling the oscillation function. The oscillation time varies depending on different angles, please wait with patience.

## Scheduled Turn-off

Press the button  to cycle through the scheduled turn-off times: 1 hour, 2 hours, 3 hours, 4 hours, and disabled, and the corresponding indicator(s) will light up (see table below). Five seconds after using the scheduled turn-off function, the indicator(s) resume to indicate the corresponding status of the current speed.

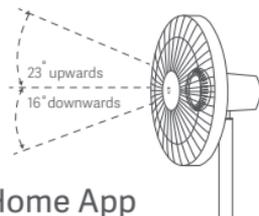
Scheduled	Disabled	1 hour	2 hours	3 hours	4 hours
Indicator	●●●●	★●●●	★●●●	★●●●	★●●●

Note: ★ means the indicator is on; ● means the indicator is off.

For more scheduled turn-off options (up to 8 hours), please go to the Mi Home/Xiaomi Home app.

## Adjust the Airflow Direction

Gently lift or push down the fan's head or fan grille to adjust the airflow upwards or downwards.



## Connect with the Mi Home App

This product works with Mi Home/Xiaomi Home app\*. Control your device with Mi Home/Xiaomi Home app.

Scan the QR code to download and install the app. You will be directed to the connection setup page if the app is installed already. Or search "Mi Home/Xiaomi Home" in the app Store to download and install it.

Open Mi Home/Xiaomi Home app, tap "+" on the upper right, and then follow prompts to add your device.

\*The app is referred to as Xiaomi Home app in Europe (except for Russia). The name of the app displayed on your device should be taken as the default.

Note: The version of Mi Home app might have been updated, please follow the instructions based on the current app version.



## Connecting to Wi-Fi

Simultaneously press and hold the buttons  and . Once you hear a long beep, the fan is awaiting a connection, then you can pair it with a device via the app.

Wi-Fi Status & Indicator Description

Wi-Fi Status	Awaiting Connection	Connecting	Connected	Fail to Connect
Indicator	Blinking orange	Blinking blue	Blue	Orange

## Resetting Wi-Fi Connection

Simultaneously press and hold the buttons  and . Once you hear a long beep, the Wi-Fi connection has been reset successfully and then the fan is awaiting a connection. The Wi-Fi connection needs to be reset on the circumstances listed below.

- The Mi account that the fan is paired with has been changed.
- The router that the fan is connected to has been changed.
- The account or password of the router that the fan is connected to has been changed.
- The Mi Home/Xiaomi Home app is unable to control the fan.

## Child Lock Function

### Enable

You can enable the child lock function in the Mi Home/Xiaomi Home app. Once it is enabled, the fan will not respond to any button operations but instead of all indicators blinking twice with two beeping sounds.

### Disable

You can disable the child lock function in the Mi Home/Xiaomi Home app. Resetting the Wi-Fi connection can also disable this function.

## Care & Maintenance

### Washable Parts

The parts listed below can be cleaned with a soft cloth or sponge using water or neutral detergent.



11

Front Grille



12

Fan Blade Assembly



13

Rear Grille



5

Rear Grille Knob

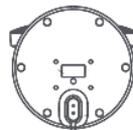
⚠ Note: Before cleaning the parts, stop and unplug the fan. Then disassemble the fan base first. When assembling the fan, make sure all parts are completely dry and the fan base is installed last. Avoid direct sunlight.

### Not Washable Parts



4

Fan Blade Assembly Knob



3

Fan Base



9

Charging Base



1

Motor & Stand

⚠ Note: Do not rinse the parts listed above with water.

Do not use thinner, gasoline, detergent or alkaline detergent to clean any parts.

# Troubleshooting

Fault	Possible Cause	Solution
The fan doesn't work	The stand does not properly connect to the fan base.	Install the fan base with the stand correctly.
	Child lock is enabled.	Disable the child lock function.
	Battery is depleted.	Connect the charging base to use it as the power source.
Unable to connect to Wi-Fi	The Wi-Fi connection is 5 GHz.	Connect to a 2.4 GHz Wi-Fi network.
	The fan has been offline for more than half an hour.	Reset the Wi-Fi connection.
Fan blades are stuck	Fan blades are stuck by a foreign object.	Unplug the fan and remove the foreign object.
Battery level indicator does not light up	The battery enters into sleep protection.	Connect the charging base to activate the battery.
The oscillation function does not work.	The fan is under the auto-oscillation state.	Wait for the auto-oscillation completes. It will last for 14 seconds at most.

# Specifications

Name	Mi Smart Standing Fan Pro	Rated Voltage	12 V $\overline{=}$	Battery Type	Lithium-ion Battery
Model	ZLBSP01XY	Rated Power	24 W	Battery Capacity	2800 mAh
Type	Standing Fan	Noise Emission	$\leq$ 55 dB(A)	Charging Input	12 V $\overline{=}$ 2 A
Net Weight	3.2 kg	Item Dimensions	950 × 343 × 330 mm	Limited Charging Voltage	14 V $\overline{=}$
Wireless Connectivity	Wi-Fi IEEE 802.11b/g/n 2.4 GHz			Operating Temperature	0°C to 40°C
*Radio frequency and radio transmission power					
RF Specification		Operation Frequency		Maximum Output Power	
2.4 G Wi-Fi		2412-2472 MHz		<20 dBm	

Accessory Name	Charging Base	Model	BLJ24W120200P-V
Input	100–240 V~ 50/60 Hz 0.6 A	Output	12.0 V ⎓ 2.0 A
Power Cord Length	1.6 m		

 **WARNING:** For the purposes of recharging the battery, only use the detachable supply unit provided with this appliance.



Hereby, Zhejiang Xingyue Electric Equipment Co., Ltd. declares that the radio equipment type ZLBSP01XY is in compliance with Directive 2014/53/EU. The full text of the EU declaration of conformity is available at the following internet address: <http://www.mi.com/global/service/support/declaration.html>



All products bearing this symbol are waste electrical and electronic equipment (WEEE as in directive 2012/19/EU) which should not be mixed with unsorted household waste. Instead, you should protect human health and the environment by handing over your waste equipment to a designated collection point for the recycling of waste electrical and electronic equipment, appointed by the government or local authorities. Correct disposal and recycling will help prevent potential negative consequences to the environment and human health. Please contact the installer or local authorities for more information about the location as well as terms and conditions of such collection points.

# Instrucciones de seguridad

Lea detenidamente este manual antes de usar el producto y consévelo para futuras consultas.

## Advertencias

El uso inadecuado puede provocar descargas eléctricas, incendios, lesiones personales u otros daños.

- ⊗ Este aparato puede ser utilizado por niños de 8 años en adelante y por personas con capacidades sensoriales, mentales o físicas reducidas, siempre y cuando estén bajo la supervisión de un adulto, se les hayan proporcionado instrucciones sobre el uso del producto y se les haya advertido de los riesgos que implica. Los niños no deben jugar con el aparato. La limpieza y el mantenimiento por parte del usuario no deben realizarse por niños sin supervisión de un adulto. (Para países o regiones europeas)
- ⊗ Este dispositivo no está diseñado para personas (incluidos niños) con capacidades físicas, sensoriales o mentales reducidas, o con falta de experiencia y conocimientos, a menos que estén bajo supervisión o que la persona responsable de su seguridad les haya proporcionado instrucciones sobre el uso del producto.  
Los niños deberán estar bajo supervisión para asegurarse de que no jueguen con el aparato. (Para países o regiones no europeas)
- ⊗ Los niños deberán estar bajo supervisión para asegurarse de que no jueguen con el aparato.
- ⊗ La batería no es reemplazable.
- ⊗ El aparato sólo debe utilizarse con la fuente de alimentación suministrada con él.
- ⊗ No utilice este ventilador en un lugar donde pueda caerse fácilmente o donde haya otros objetos inestables cerca.
- ⊗ No utilice este ventilador en ambientes calientes y húmedos como un baño.
- ⊗ No utilice este ventilador si el cable de alimentación está dañado o si su enchufe está suelto.
- ⊗ No utilice este ventilador si la parrilla frontal o trasera está suelta o se ha caído.
- ⊗ No permita que los niños o los adultos que no pueden manejar este ventilador utilicen este producto.
- ⊗ No intente desmontar o reparar este ventilador usted mismo.
- ⊗ No pince, doble o retuerza excesivamente el cable de alimentación ya que esto puede exponer o romper su núcleo.
- ⊗ No introduzca los dedos ni ningún objeto en la rejilla delantera, la rejilla trasera o las aspas del ventilador cuando el ventilador esté en uso.
- ⊗ Mantenga el cabello y las telas alejados del ventilador para evitar que queden atrapados en el mismo.
- ⊗ No utilice ninguna toma de corriente inapropiada.
- ⊗ No utilice la base de carga suministrada con este ventilador para ningún otro dispositivo.
- ⊗ Cuando realice el mantenimiento y la limpieza, desmonte la base del ventilador antes de retirar otras piezas. Asegúrese de instalar la base del ventilador en último lugar al montar el ventilador.
- ⊗ En condiciones normales de uso, este equipo debe mantenerse a una distancia de, al menos, 20 cm entre la antena y el cuerpo del usuario.
- ⊗ Asegúrese de que el ventilador haya sido apagado desde la red de suministro antes de retirar la protección.

- ⊗ Si el cable de alimentación está dañado, debe ser reemplazado por el fabricante, su servicio técnico o personas con una cualificación similar para evitar peligros.
- ⊗ No golpee, aplaste y deje caer el producto, ni lo exponga a presión.
- ⊗ Mantenga el producto alejado del agua y de las fuentes de calor.
- ⊗ No utilice este producto en ambientes donde las temperaturas y la humedad sean extremadamente altas. Evite la luz solar directa.
- ⊗ No retire, desmonte o destruya la batería.
- ⊗ No cargue este producto durante un período de tiempo prolongado cuando no esté en uso.
- ⊗ Este aparato contiene baterías que no son reemplazables.

## Precauciones

### Instalación

- ⚠ Para evitar descargas eléctricas, incendios, lesiones personales u otros daños, siga estrictamente los pasos de instalación indicados en el manual de usuario y asegúrese de que la base del ventilador esté montada en el último paso.
- ⚠ No conecte el ventilador a una toma de corriente o a la base de carga si no está completamente montado.
- ⚠ Apague o desenchufe el ventilador antes de instalarlo o desmontarlo. No conecte la base de carga ni toque los botones para evitar que el ventilador se ponga en marcha y cause peligro.

### Transporte

- ⚠ Sujete firmemente el soporte del ventilador para evitar que caiga causando lesiones personales.

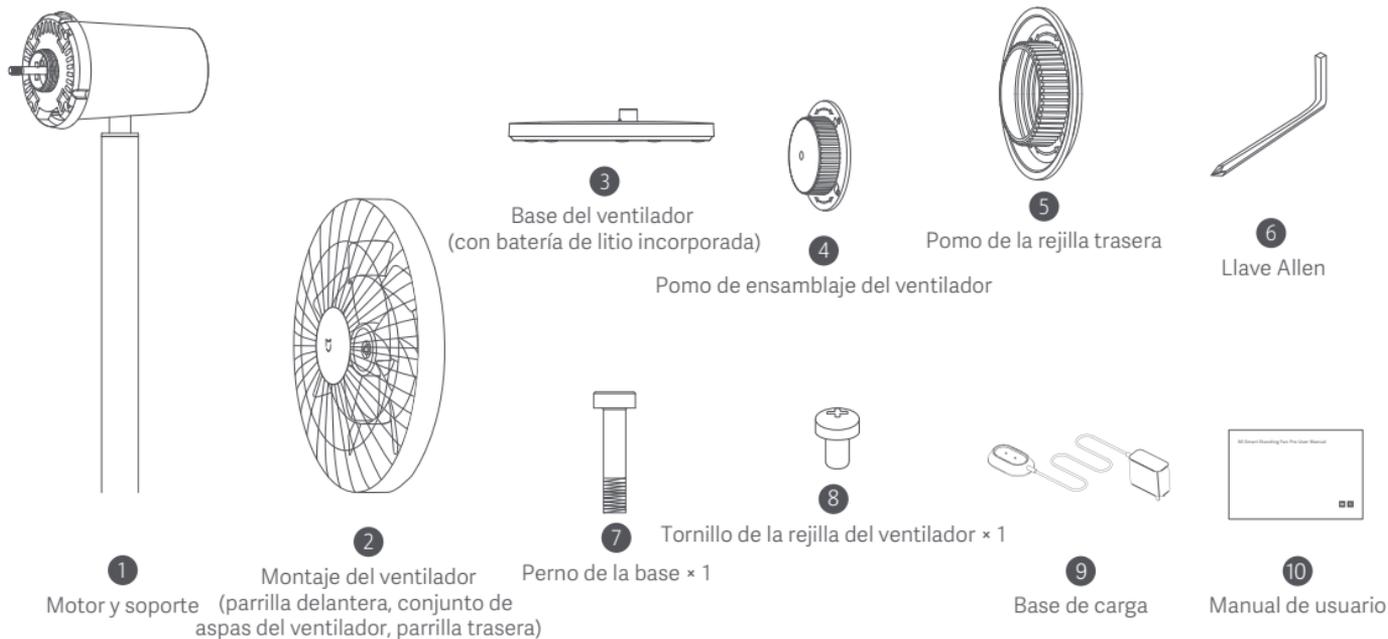
### Uso del ventilador

- ⚠ Deje de usar el ventilador inmediatamente si hace sonidos inusuales, emite malos olores, se sobrecalienta o gira irregularmente.
- ⚠ No se apoye o incline el ventilador mientras está funcionando.
- ⚠ No sacuda la cabeza del ventilador repetidamente para evitar daños al mecanismo interno.

### Base de carga

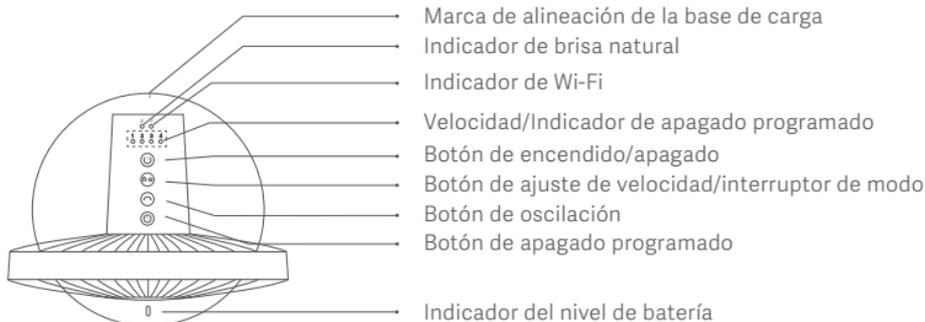
- ⚠ Para evitar que la batería se dañe, cárguela inmediatamente conectando la base de carga cuando se agote.
- ⚠ No desenchufe la base de carga tirando directamente del cable o sacándolo de la toma de corriente. En su lugar, saque el propio enchufe.
- ⚠ No intente reparar la base de carga por sí mismo si está dañada.
- ⚠ Si la base de carga está dañada o rota, debe ser sustituida por una calificada adquirida al fabricante o al departamento de servicio posventa.

# Contenido del paquete

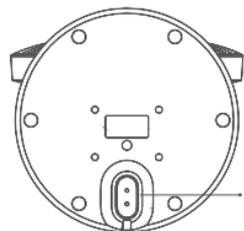


Nota: Las ilustraciones del producto, los accesorios y la interfaz de usuario del manual de usuario son solo para fines de referencia. El producto y las funciones actuales pueden variar debido a mejoras del producto.

# Descripción general



Vista superior

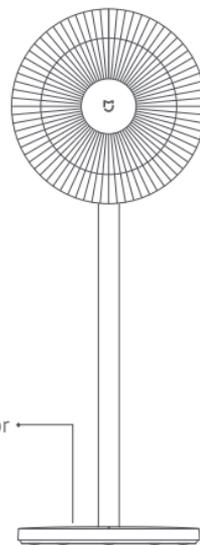


Puerto de carga

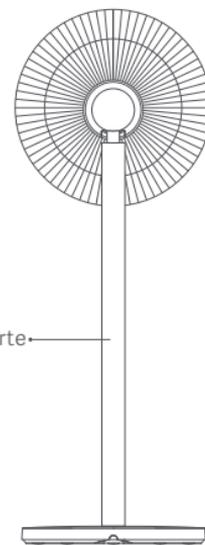
Parte inferior de la base del ventilador



Base de carga



Base del ventilador

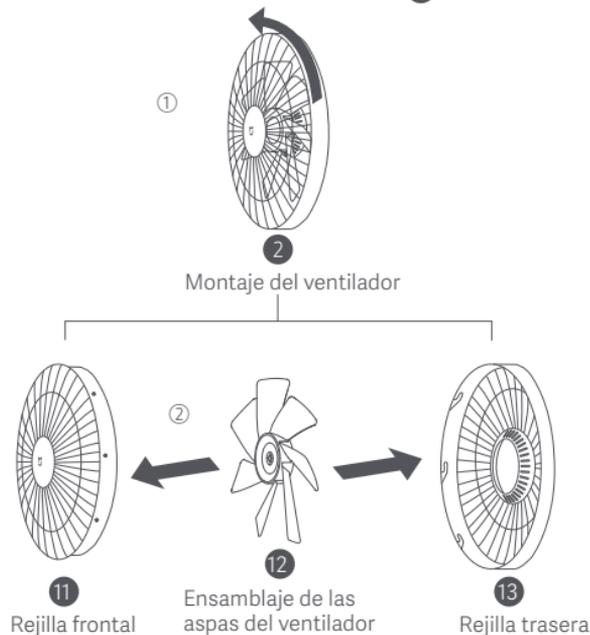


Soporte

# Instalación

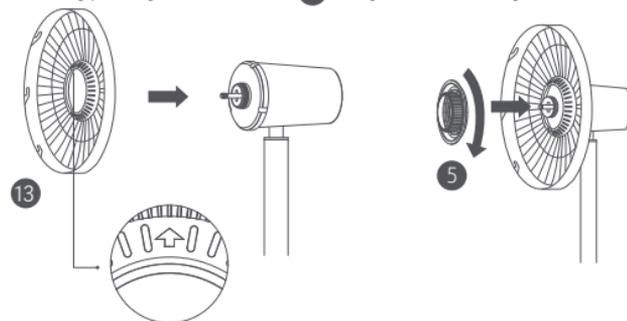
## Paso 1: Apertura del ensamblaje del ventilador

Gire la parrilla delantera en sentido contrario a las agujas del reloj hasta que se separe de la parrilla 13 trasera, como se muestra en la figura ①. Retire la parrilla delantera y la trasera como se indica en la figura ②, y luego saque el conjunto de 12 aspas del ventilador.



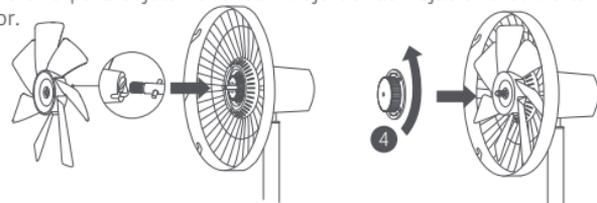
## Paso 2: Instalación de la parrilla trasera

Instale 13 Rejilla trasera en el eje del motor con "↑" hacia arriba, y luego gire la perilla de la rejilla trasera en el sentido de las agujas del reloj para fijar firmemente 5 la rejilla trasera al eje.



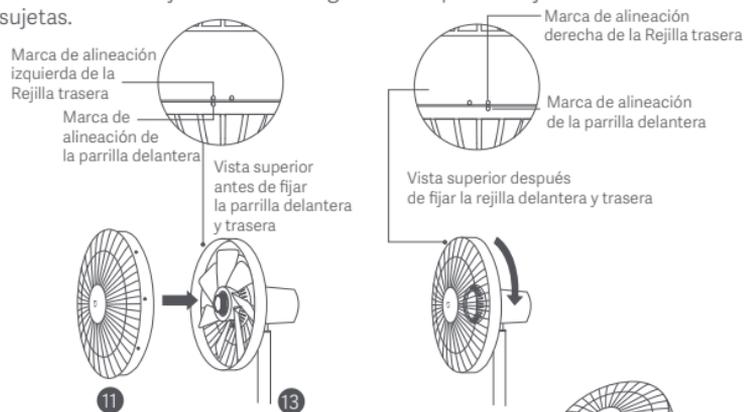
## Paso 3: Instalación del ensamblaje de las hojas

Alinee el agujero central del ensamblaje de las hojas con la cubierta del motor e instálelo en ésta, después coloque el 4 Pomo del ensamblaje del ventilador en la cubierta del motor. Gire el pomo en sentido antihorario para sujetar el ensamblaje de las hojas a la cubierta del motor.



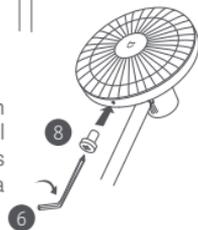
## Paso 4: Instalación de la rejilla frontal

Alinee la **11** marca de alineación de la parrilla delantera con la marca de alineación izquierda de la **13** Rejilla trasera, y asegúrese de que la parrilla delantera esté bien encajada en la parrilla trasera. Gire la parrilla delantera en el sentido de las agujas del reloj hasta que la marca de alineación de la parrilla delantera se alinee con la marca de alineación derecha de la Rejilla trasera. Asegúrese de que las rejillas estén bien sujetas.

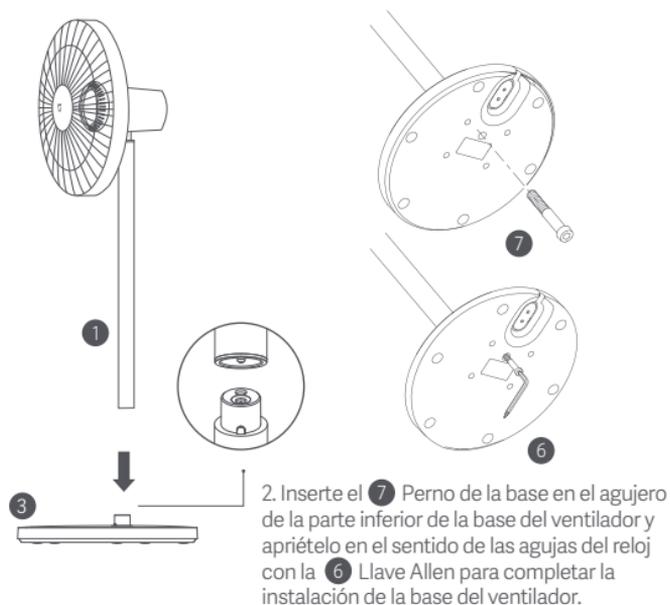


## Paso 5: Fijar la parrilla delantera

Inserte el **8** Tornillo de la rejilla del ventilador en el agujero de la parte inferior de la rejilla del ventilador. Gire el tornillo en el sentido de las agujas del reloj usando la **6** Llave Allen incluida para apretarlo.



## Paso 6: Instalar la base del ventilador

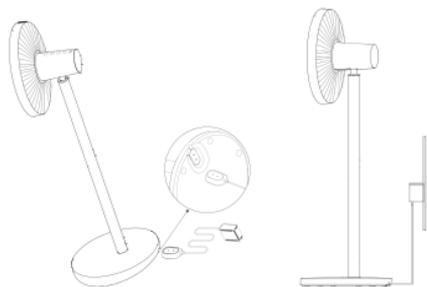


1. Instale el **1** Motor y el soporte en la **3** Base del ventilador tal y como se ilustra.

# Modo de uso

## Cargando

- Se recomienda cargar completamente el ventilador antes de usarlo.
- Conecte la base de carga al puerto de carga en la parte inferior de la base del ventilador, y luego enchufe la base de carga.
- Cuando el indicador de nivel de la batería parpadea, el ventilador está conectado con éxito a la base de carga.
- Puede utilizar este ventilador con o sin conexión a una toma de corriente. El ventilador está equipado con un módulo Wi-Fi incorporado, y el consumo de energía se produce incluso cuando está apagado. Cargue completamente el ventilador y luego apáguelo, la batería puede durar aproximadamente 2 días. Para mantener un rendimiento óptimo de la batería, se recomienda seguir cargando el ventilador si no está en uso.



Conexión a una toma de corriente

Estado del ventilador	Nivel de batería	Indicador del nivel de batería
Encendido/Apagado	≤30%	Parpadeo naranja
	30-100%	Parpadeo blanco
	100%	Apagado

No conectado a una toma de corriente

Estado del ventilador	Nivel de batería	Indicador del nivel de batería
Encendido	30-100%	Blanco
	1-30%	Naranja
	0%	Apagado (El ventilador se apagará automáticamente)
Apagado	0-100%	Apagado

## Encendido y apagado

### Encender

Presione el botón (⏻) para encender el ventilador. Cuando lo encienda por primera vez, la velocidad por defecto es lenta (1) y el modo es de brisa directa.

### Apagar

Presiona el botón (⏻) para detener el ventilador mientras está funcionando.

## Cambiar la velocidad/modo

### Velocidad de cambio

Presione el botón (⏻) para ajustar la velocidad, y los indicadores correspondientes se iluminarán (ver tabla abajo). Después de que el ventilador se apague y se vuelva a encender, la velocidad será la última utilizada.

Velocidad	Lenta (1)	Media (2)	Rápida (3)	Turbo (4)
Indicador	★●●●	★●●●	★●●●	★●●●

Nota: ★ significa que el indicador está encendido; ● significa que el indicador está apagado.

## Cambio de modo

Mantenga pulsado el botón  para cambiar entre la brisa directa y la brisa natural. El indicador está apagado cuando está en modo de brisa directa y está encendido cuando está en modo de brisa natural. Después de que el ventilador se apague y se vuelva a encender, el modo será el último que se utilice.

## Activar/Desactivar la oscilación

Presione el botón  para activar o desactivar la oscilación. Puede ajustar el rango del ángulo de oscilación en la aplicación. Después de apagar y volver a encender el ventilador, el ajuste de oscilación será el último utilizado.

Nota: Cuando se restablezca la conexión Wi-Fi, el rango del ángulo de oscilación cambiará al ángulo predeterminado de 90°. Desenchufe y conecte el ventilador o restablezca la conexión Wi-Fi, y luego encienda el ventilador. Oscilará automáticamente su ángulo si se activa la función de oscilación. El tiempo de oscilación varía según los diferentes ángulos, por favor espere con paciencia.

## Apagado programado

Presione el botón  para recorrer los tiempos de apagado programados: 1 hora, 2 horas, 3 horas, 4 horas, y desactivado, se encenderán los indicadores correspondientes (ver tabla inferior). Cinco segundos después de utilizar la función de apagado programado, los indicadores se reanudan para indicar el estado correspondiente de la velocidad actual.

Programado	Desactivado	1 hora	2 horas	3 horas	4 horas
Indicador	●●●●	★●●●	★●●●	★●●●	★●●●

Nota: ★ significa que el indicador está encendido; ● significa que el indicador está apagado.  
Para más opciones de apagado programado (hasta 8 horas), por favor vaya a la aplicación Mi Home/Xiaomi Home.

## Ajustar la dirección del flujo de aire

Levante o empuje suavemente la cabeza del ventilador o la rejilla del ventilador para ajustar el flujo de aire hacia arriba o hacia abajo.



## Conectar con la aplicación Mi Home/Xiaomi Home

Este producto funciona con la aplicación Mi Home/Xiaomi Home\*. Controla tu dispositivo con la aplicación Mi Home/Xiaomi Home.

Escanee el código QR para descargar e instalar la aplicación. Se le dirigirá a la página de configuración de conexión si la aplicación ya está instalada. O busque "Mi Home/Xiaomi Home" en la App Store para descargarla e instalarla. Abra la aplicación Mi Home/Xiaomi Home, pulse "+" en la parte superior derecha y, a continuación, siga las instrucciones para añadir el dispositivo.

\* La aplicación se conoce como Xiaomi Home en Europa (excepto en Rusia). El nombre de la aplicación que aparece en su dispositivo debe ser tomado como el predeterminado.

Nota: La versión de la aplicación puede haber sido actualizada, siga las instrucciones basadas en la versión actual de la aplicación.



## Conectarse a Wi-Fi

Presione y mantenga simultáneamente los botones  y . Una vez que escuche un pitido largo, el ventilador está esperando una conexión, entonces puedes emparejarlo con un dispositivo a través de la aplicación.

Estado e indicador de Wi-Fi Descripción

Estado del Wi-Fi	En espera de conexión	Conectando	Conectado	No se pudo conectar
Indicador	Parpadeo naranja	Parpadeo azul	Azul	Naranja

## Restablecer la red Wi-Fi

Presione y mantenga simultáneamente los botones  y . Una vez que oiga un pitido largo, la conexión Wi-Fi se ha restablecido con éxito y entonces el ventilador está esperando una conexión. La conexión Wi-Fi debe ser restablecida en las circunstancias que se enumeran a continuación.

- Se ha cambiado la Cuenta Mi vinculada con el ventilador.
- El router al que está conectado el ventilador ha sido cambiado.
- La cuenta o contraseña del router al que está conectado el ventilador ha sido cambiada.
- La aplicación Mi Home/Xiaomi Home no puede controlar el ventilador.

## Función de bloqueo infantil

### Habilitar

Puedes activar la función de bloqueo infantil en la aplicación Mi Home/Xiaomi Home. Una vez activada, el ventilador no responderá a ninguna operación de los botones, sino que todos los indicadores parpadearán dos veces con dos pitidos.

### Desactivar

Puedes desactivar la función de bloqueo de niños en la aplicación Mi Home/Xiaomi Home. Reiniciar la conexión Wi-Fi también puede desactivar esta función.

## Cuidado y mantenimiento

### Partes lavables

Las partes que se enumeran a continuación pueden limpiarse con un paño suave o una esponja utilizando agua o detergente neutro.



11

Rejilla frontal



12

Ensamblaje de las aspas del ventilador



13

Rejilla trasera



5

Pomo de la rejilla trasera

⚠ Nota: Antes de limpiar las piezas, deténgase y desenchufe el ventilador. Luego desmonte la base del ventilador primero. Al montar el ventilador, asegúrese de que todas las piezas estén completamente secas y que la base del ventilador esté instalada al final. Evite la luz solar directa.

### Piezas no lavables



4

Pomo de ensamblaje del ventilador



3

Base de fans



9

Base de carga



1

Motor y soporte

⚠ Nota: No enjuague las partes mencionadas anteriormente con agua. No utilice diluyente, gasolina, detergente o detergente alcalino para limpiar ninguna de las piezas.

## Solución de problemas

Error	Posible causa	Solución
El ventilador no funciona	El soporte no se conecta correctamente a la base del ventilador.	Instale la base del ventilador con el soporte correctamente.
	El seguro para niños está activado.	Deshabilite la función de bloqueo para niños.
	La batería está agotada.	Conecte la base de carga para usarla como fuente de energía.
No se puede conectar al Wi-Fi	La conexión Wi-Fi es de 5 GHz.	Conéctate a una red Wi-Fi de 2,4 GHz.
	El ventilador ha estado desconectado durante más de media hora.	Reinicie la conexión Wi-Fi.
Las aspas del ventilador están atascadas	Las aspas del ventilador están atascadas por un objeto extraño.	Desconecta el ventilador y retira el objeto extraño.
El indicador del nivel de la batería no se enciende	La batería entra en la protección de sueño.	Conecte la base de carga para activar la batería.
La función de oscilación no funciona.	El ventilador está en estado de auto oscilación.	Espere a que la auto oscilación se complete. Durará como máximo 14 segundos.

## Especificaciones

Nombre	Mi Smart Standing Fan Pro	Tensión nominal	12 V $\overline{=}$	Tipo de batería	Batería de polímero de iones de litio
Modelo	ZLBSP01XY	Potencia nominal	24 W	Capacidad de la batería	2800 mAh
Tipo	Ventilador de pie	Emisión de Ruido	$\leq 55$ dB(A)	Entrada de carga	12 V $\overline{=}$ 2 A
Peso neto	3,2 kg	Dimensiones del artículo	950 × 343 × 330 mm	Tensión de carga limitada	14 V $\overline{=}$
Conexión inalámbrica	Wi-Fi IEEE 802,11b/g/n 2,4 GHz			Temperatura de funcionamiento	0 °C a 40 °C

Nombre del accesorio	Base de carga	Modelo	BLJ24W120200P-V
Entrada	100~240 V~ 50/60 Hz 0,6 A	Salida	12,0 V ~ 2,0 A
Longitud del cable de alimentación	1,6 m		

\*Frecuencia de radio y potencia de transmisión de radio

Especificación RF	Frecuencia de Trabajo	Potencia Máxima de Salida
2,4 G Wi-Fi	2412-2472 MHz	<20 dBm

⚠ ADVERTENCIA: Para recargar la batería, utilice únicamente la unidad de alimentación desmontable que se proporciona con este aparato.



Por la presente, Zhejiang Xingyue Electric Equipment Co., Ltd. declara que el tipo de equipo radioeléctrico ZLBSP01XY cumple con la Directiva 2014/53/UE. Encontrará el texto completo de la declaración de conformidad de la UE en esta dirección de Internet: <http://www.mi.com/global/service/support/declaration.html>



Todos los productos que llevan este símbolo son residuos de aparatos eléctricos y electrónicos (RAEE según la directiva 2012/19/UE) que no deben mezclarse con residuos domésticos sin clasificar. En su lugar, debe proteger la salud humana y el medio ambiente entregando sus equipos de desecho a un punto de recogida para el reciclaje de residuos de equipos eléctricos y electrónicos, designado por el gobierno o las autoridades locales. La eliminación y el reciclado correctos ayudarán a evitar posibles consecuencias negativas para el medio ambiente y la salud humana. Póngase en contacto con el instalador o con las autoridades locales para obtener más información sobre la ubicación y las condiciones de dichos puntos de recogida.

# Инструкция по технике безопасности

Перед использованием внимательно прочтите это руководство. Сохраните его — оно может понадобиться вам в дальнейшем.

## Предупреждения

Неадекватное использование может привести к поражению электрическим током, пожару, телесным повреждениям или возникновению иного ущерба.

- Дети в возрасте от 8 лет и старше, лица с ограниченными физическими, сенсорными или умственными способностями или недостаточным опытом и знаниями могут использовать этот прибор под наблюдением или после получения инструкций по технике безопасности и осознания возможных рисков. Дети не должны играть с прибором. Не разрешайте детям чистить устройство и выполнять другие действия по уходу за ним без присмотра взрослых.  
(Для европейских стран или регионов)
- Этот прибор не должны использовать лица (взрослые или дети) с ограниченными физическими, сенсорными или умственными возможностями и лица, не обладающие соответствующим опытом и знаниями, если они не находятся под присмотром или руководством человека, ответственного за их безопасность. Необходимо следить за детьми, чтобы они не играли с прибором.  
(Не предназначено для европейских стран или регионов)
- Необходимо следить за детьми, чтобы они не играли с прибором.
- Батарея не подлежит замене.
- Устройство должно использоваться только с блоком питания, поставляемым с устройством.
- Не используйте вентилятор в местах, где он может легко опрокинуться, или поблизости от других неустойчивых предметов.
- Не используйте вентилятор в жаркой или влажной среде, например, в ванной.
- Не используйте вентилятор, если шнур питания поврежден или электрическая вилка вставлена неплотно.
- Не используйте вентилятор, если не установлена передняя защитная решетка или задняя решетка не закреплена либо отпала.
- Не позволяйте использовать вентилятор детям или взрослым людям, неспособным эксплуатировать вентилятор.
- Не разбирайте и не ремонтируйте этот вентилятор самостоятельно.
- Не прилагайте чрезмерное усилие для вытягивания шнура питания, не скручивайте и не сгибайте его, поскольку это может привести к оголению или разлому его сердцевины.
- Не вставляйте пальцы или какие-либо предметы в переднюю защитную решетку, заднюю решетку или лопасти вентилятора, когда он используется.
- Не допускайте попадания в вентилятор волос или ткани, чтобы они не запутались в вентиляторе.
- Не используйте неподходящие электрические розетки.
- Не используйте подставку электропитания, прилагаемую к этому вентилятору, для любого другого устройства.
- При обслуживании и очистке демонтируйте подставку электропитания вентилятора, прежде чем снимать другие детали. При сборке вентилятора убедитесь, что вы устанавливаете подставку электропитания вентилятора последней.

- ⊖ При обычных условиях использования между антенной этого оборудования и телом пользователя должно сохраняться расстояние не менее 20 см.
- ⊖ Убедитесь, что вентилятор отключён от электросети, прежде чем снимать защиту.
- ⊖ Если шнур питания повреждён, его замену во избежание опасных ситуаций должен выполнять производитель, сервисный агент или специалист с аналогичной квалификацией.
- ⊖ Не ударяйте, не разбивайте и не роняйте изделие и не подвергайте его воздействию давления.
- ⊖ Храните изделие вдали от источников воды и тепла.
- ⊖ Не используйте этот продукт в средах с очень высокой температурой и влажностью. Избегайте попадания на изделие прямых солнечных лучей.
- ⊖ Не вынимайте, не разбирайте и не разрушайте батарею.
- ⊖ Не заряжайте это изделие в течение длительного периода времени, когда оно не используется.
- ⊖ Данное устройство содержит не подлежащие замене батареи.

## Меры предосторожности

### Установка

- ⚠ Чтобы избежать поражения электрическим током, пожара, травм или других повреждений, строго следуйте инструкциям по установке, описанным в руководстве пользователя, и на последнем этапе убедитесь, что подставка электропитания вентилятора собрана.

- ⚠ Не подключайте вентилятор к электрической розетке или подставке электропитания, если оно не полностью собрано.
- ⚠ Выключите или отключите вентилятор перед установкой или разборкой. Не подключайте подставку электропитания и не прикасайтесь к кнопкам, чтобы вентилятор не заработал и создал опасность.

### Транспортировка

- ⚠ Крепко держите стойку вентилятора, чтобы она не упала и не причинила телесные повреждения.

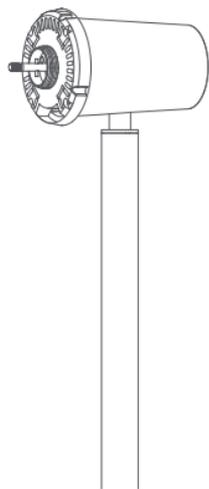
### Использование вентилятора

- ⚠ Немедленно перестаньте использовать вентилятор, если он издает необычные звуки, неприятный запах или вращается неравномерно.
- ⚠ Не опирайтесь на вентилятор и не наклоняйте его, когда он работает.
- ⚠ Не трясите головку вентилятора несколько раз, чтобы не повредить внутренний механизм.

### Зарядная подставка электропитания

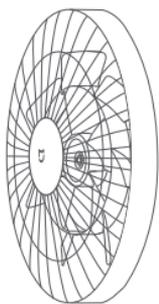
- ⚠ Чтобы избежать повреждения батареи, немедленно заряжайте батарею, подключая зарядную подставку электропитания, когда она разряжена.
- ⚠ Не отсоединяйте подставку электропитания, потянув его за шнур или извлекая его из розетки. Вместо этого вытащите вилку из себя.
- ⚠ Не пытайтесь ремонтировать подставку электропитания самостоятельно, если оно повреждено.
- ⚠ Если подставка электропитания повреждена или сломана, ее необходимо заменить соответствующей, приобретённой у производителя или в отделе послепродажного обслуживания.

## Комплект поставки



1

Двигатель и стержень



2

Вентилятор в сборке  
(передняя решетка,  
лопасти вентилятора в сборке,  
задняя решетка)



3

Подставка электропитания вентилятора  
(со встроенной литиевой батареей)



4

Ручка узла лопастей вентилятора



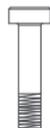
5

Ручка задней решётки



6

Торцевой ключ



7

Болт подставки  
электропитания × 1



8

Винт решётки вентилятора × 1



9

Зарядная подставка  
электропитания

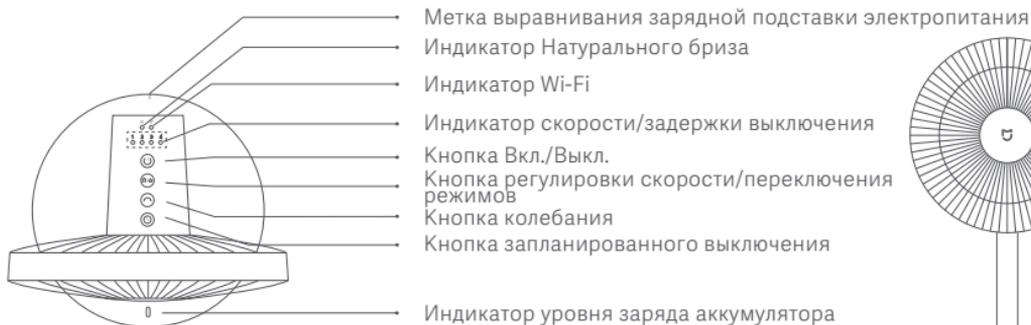


10

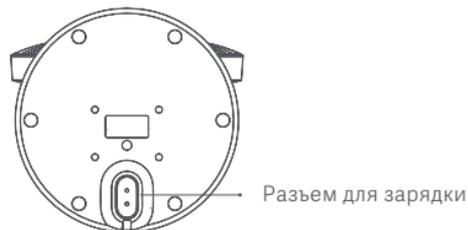
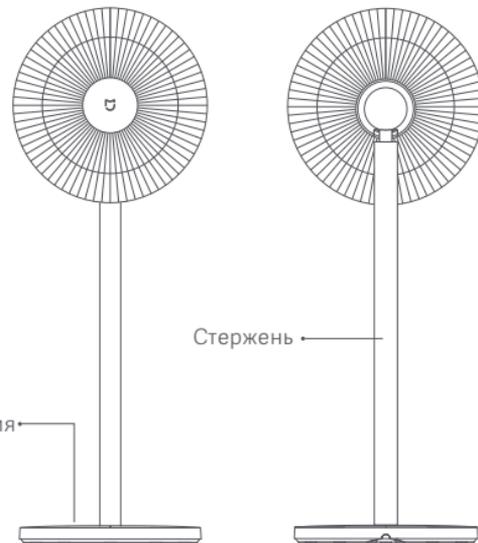
Руководство  
пользователя

Примечание. Иллюстрации изделия, комплектующих и пользовательского интерфейса в руководстве пользователя представлены исключительно в ознакомительных целях. Фактические характеристики прибора и его функции могут отличаться в связи с улучшениями продукта.

# Обзор



Вид сверху



Низ подставки электропитания вентилятора

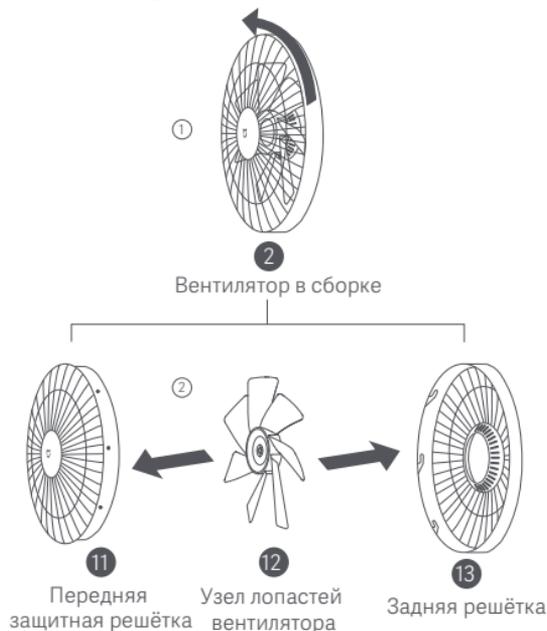


Зарядная подставка электропитания

# Установка

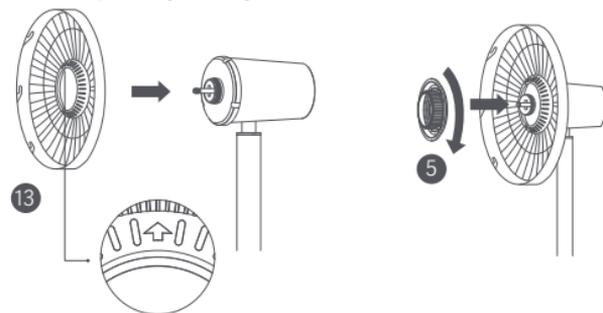
## Этап 1: Откройте вентилятор в сборке

Поверните **11** Переднюю решётку против часовой стрелки, пока она не отделится от **13** Задней решётки, как показано на рисунке **1**. Снимите переднюю и заднюю решётку, как показано на рисунке **2**, затем выньте **12** Узел лопастей вентилятора.



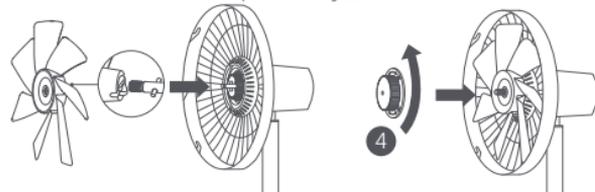
## Этап 2: Установите заднюю решетку

Установите **13** Задняя решётка на вал двигателя, обращённый  вверх, а затем поверните **5** Ручку задней решётки по часовой стрелке, чтобы надёжно закрепить заднюю решетку на валу.



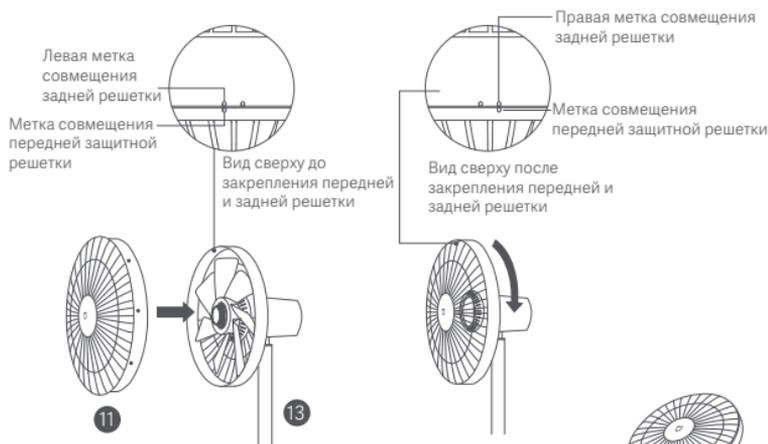
## Этап 3: Установка узла лопастей вентилятора

Совместите центральное отверстие блока лопастей вентилятора с валом двигателя и установите его на вал, затем установите **4** Ручка узла лопастей вентилятора на вал двигателя. Поверните ручку против часовой стрелки, чтобы зафиксировать блок лопастей вентилятора на валу двигателя.



## Этап 4: Установите переднюю решетку

Выровняйте метку совмещения **11** Передней защитной решетки с левой меткой совмещения **13** Задней решетки. Убедитесь в том, что передняя решетка надлежащим образом вставлена в заднюю решетку. Поворачивайте переднюю защитную решетку по часовой стрелке до совмещения метки передней решетки с правой меткой совмещения задней решетки. Обязательно прочно закрепите решетки.

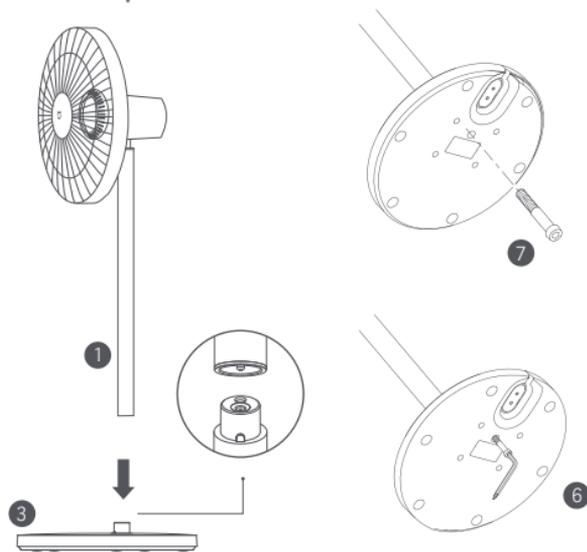


## Этап 5: Закрепите переднюю решетку

Вставьте **8** Винт решетки вентилятора в отверстие в нижней части решетки вентилятора. Поворачивайте винт по часовой стрелке при помощи **6** Торцевого ключа, входящего в комплект поставки, чтобы его затянуть.



## Этап 6: Установка подставки электропитания вентилятора



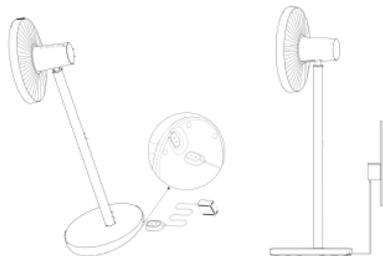
1. Установите **1** Двигатель и стержень на **3** Подставку электропитания вентилятора, как показано на рисунке.

2. Вставьте **7** Болт подставки электропитания в отверстие в нижней части подставки электропитания вентилятора и затяните его по часовой стрелке с помощью **6** Торцевого ключа, чтобы завершить установку подставки электропитания вентилятора.

# Инструкция

## Зарядка

- Перед использованием рекомендуется полностью зарядить вентилятор.
- Подсоедините зарядную подставку электропитания к зарядному порту в нижней части подставки вентилятора, затем подключите зарядную подставку электропитания.
- Когда индикатор уровня заряда батареи мигает, вентилятор успешно подключён к зарядной подставке электропитания.
- Вы можете использовать этот вентилятор, подключив его к электрической розетке или нет. Вентилятор оборудован встроенным модулем Wi-Fi, и потребление энергии происходит даже при его выключении. Полностью зарядите вентилятор, затем выключите его, батарея может работать приблизительно 2 дня. Для поддержания оптимальной производительности батареи рекомендуется продолжать заряжать вентилятор, если он не используется.



Подключите к электрической розетке

Состояние вентилятора	Уровень заряда	Индикатор уровня заряда аккумулятора
Вкл./Выкл	≤30%	Мигает оранжевым цветом
	30–100%	Мигает белым цветом
	100%	Выкл

Не подключите к электрической розетке

Состояние вентилятора	Уровень заряда	Индикатор уровня заряда аккумулятора
Вкл	30–100%	Белый
	1–30%	Оранжевый
	0%	Выкл. (вентилятор автоматически выключится)
Выкл	0–100%	Выкл

## Включение/выключение

### Включение

Нажмите кнопку  для запуска вентилятора. При первом включении по умолчанию установлена медленная скорость (1) и режим прямого ветра.

### Выключение

Нажмите кнопку , чтобы остановить вентилятор во время его работы.

## Переключение скорости/режима

### Переключение скорости

Нажмите кнопку , чтобы отрегулировать скорость, и соответствующие индикаторы загорятся (см. Таблицу ниже). После того, как вентилятор выключится и снова включится, скорость будет последней использованной.

Скорость	Медленно (1)	Средне (2)	Быстро (3)	Турбо (4)
Индикатор	●●●●	★●●●	★●●●	★●●●

Примечание. ★ означает, что индикатор включен; ● означает, что индикатор выключен.

## Переключение режимов

Нажмите и удерживайте кнопку  для переключения между прямым и естественным бризом. Индикатор выключен в режиме прямого бриза и включён в режиме естественного бриза. После выключения и повторного включения вентилятора режим будет последним использованным.

## Включить/отключить колебания

Нажмите кнопку , чтобы включить или отключить колебание. Вы можете установить диапазон угла колебаний в приложении. После того, как вентилятор выключен и снова включен, установка колебаний будет последней использованной.

Примечание. При сбросе соединения Wi-Fi диапазон угла колебаний изменится на угол по умолчанию, равный 90°. Отключите, затем подключите вентилятор или сбросьте соединение Wi-Fi, затем включите вентилятор. Он автоматически изменит свой угол, если активируется функция колебаний. Время колебаний варьируется в зависимости от разных углов, пожалуйста, терпеливо подождите.

## Запланированное отключение

Нажимайте кнопку  для переключения последовательности времен задержки: 1 час, 2 часа, 3 часа, 4 часа и выключено, при этом будет загораться соответствующий индикатор состояния (см. таблицу ниже). В течение пяти секунд с момента использования функции задержки выключения индикатор(-ы) состояния будет(-ут) показывать соответствующее состояние выбранной в данный момент скорости.

Запланировано	Выключено	1 час	2 часа	3 часа	4 часа
Индикатор	●●●●	★●●●	★●●●	★●●●	★●●●

Примечание. ★ означает, что индикатор включен; ● означает, что индикатор выключен. Больше параметров задержки выключения (до 8 часов) можно использовать в приложении Mi Home/Xiaomi Home.

## Регулировка направления потока воздуха

Осторожно приподнимите или опустите головку или решётку вентилятора, чтобы отрегулировать поток воздуха в направлении вверх или вниз.



## Подключитесь к приложению Mi Home/Xiaomi Home

Продукт работает с Mi Home/Xiaomi Home\*. Управляйте своим устройством в этом приложении.

Отсканируйте QR-код, чтобы скачать и установить приложение. Вы будете перенаправлены на страницу настройки подключения, если приложение уже установлено. Или выполните поиск по запросу "Mi Home/Xiaomi Home" в App Store, чтобы скачать и установить приложение. Откройте приложение Mi Home/Xiaomi Home, нажмите "+" в правом верхнем углу и следуйте инструкциям по добавлению устройства.

\* В Европе приложение называется "Xiaomi Home" (кроме России). Название приложения, которое отображается на вашем устройстве, должно быть принято по умолчанию.

Примечание. Версия приложения могла обновиться. Следуйте инструкциям для текущей версии приложения.



## Подключение к Wi-Fi

Одновременно нажмите и удерживайте кнопки  и . Как только вы услышите длинный звуковой сигнал, вентилятор ожидает подключения, а затем вы можете подключить его к устройству через приложение.

Описание статуса Wi-Fi и индикатора

Состояние сети Wi-Fi	Ожидание соединения	Подключение	Подключён	Невозможно подключить
Индикатор	Мигает оранжевым цветом	Мигает синим цветом	Синий	Оранжевый

## Сброс соединения Wi-Fi

Одновременно нажмите и удерживайте кнопки  и . Как только вы услышите длинный звуковой сигнал, соединение Wi-Fi будет успешно сброшено, а затем вентилятор ожидает соединения. Соединение Wi-Fi необходимо сбросить в следующих случаях:

- Изменён Mi аккаунт, с которым установлено соединение вентилятора.
- Изменён маршрутизатор, с которым установлено соединение вентилятора.
- Изменена учетная запись или пароль маршрутизатора, с которым установлено соединение вентилятора.
- Приложение Mi Home/Xiaomi Home не может управлять вентилятором.

## Функция блокировки от детей

Включение

Функцию блокировки от детей можно включить в приложении Mi Home/Xiaomi Home. После ее включения вентилятор не будет реагировать на нажатия кнопки. Вместо этого все индикаторы будут мигать дважды и издавать два звуковых сигнала.

Отключение

Вы можете отключить функцию блокировки от детей в приложении Mi Home/Xiaomi Home. Сброс соединения Wi-Fi также может отключить эту функцию.

## Уход и техническое обслуживание

### Моющиеся детали

Можно выполнять очистку перечисленных ниже деталей мягкой тканью или губкой с водой или нейтральным моющим средством.



11

Передняя защитная решётка



12

Узел лопастей вентилятора



13

Задняя решётка



5

Ручка задней решётки

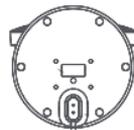
⚠ Примечание. Перед чисткой деталей остановите и отсоедините вентилятор. Затем сначала разберите подставку электропитания вентилятора. При сборке вентилятора убедитесь, что все детали полностью сухие и подставка электропитания вентилятора установлена в последнюю очередь. Избегайте прямых солнечных лучей.

### Не моющиеся части



4

Ручка узла лопастей вентилятора



3

Подставка электропитания вентилятора



9

Зарядная подставка электропитания



1

Двигатель и стержень

⚠ Примечание. Не промывайте перечисленные выше части водой.

Не используйте растворитель, бензин, моющее средство или щелочное моющее средство для очистки любых деталей.

## Устранение неполадок

Неисправность	Возможная причина	Решение
Вентилятор не работает	Стержень неправильно соединён с подставкой электропитания.	Установите подставку электропитания вентилятора со стержнем правильно.
	Включена блокировка от детей.	Отключите функцию блокировки от детей.
	Аккумулятор разряжен.	Подключите зарядную подставку электропитания, чтобы использовать ее в качестве источника питания.
Не удалось подключиться к Wi-Fi	Wi-Fi работает на частоте 5 ГГц.	Подключитесь к соединению Wi-Fi 2,4 ГГц.
	Вентилятор был выключен на протяжении более получаса.	Сброс Wi-Fi.
Произошло застревание лопастей вентилятора	В лопастях вентилятора застрял посторонний предмет.	Выньте вилку из розетки и удалите инородный предмет.
Индикатор уровня заряда батареи не загорается	Аккумулятор входит в режим защиты сна.	Подсоедините зарядную подставку электропитания, чтобы активировать аккумулятор.
Функция колебаний не работает.	Вентилятор находится в состоянии автоколебаний.	Подождите, пока автоколебание завершится. Это продлится не более 14 секунд.

## Технические характеристики

Название	Напольный смарт-вентилятор Mi Pro	Номинальное напряжение	12 В $\equiv$	Тип аккумулятора	Литий-ионная аккумуляторная батарея
Модель	ZLBPSP01XY	Номинальная мощность	24 W	Ёмкость батареи	2800 мА/ч
Тип	Напольный вентилятор	Уровень шума	≤55 дБ(А)	Зарядный вход	12 В $\equiv$ 2 А
Вес нетто	3,2 kg	Размеры изделия	950 × 343 × 330 мм	Ограниченное напряжение зарядки	14 В $\equiv$
Беспроводное подключение	Wi-Fi IEEE 802,11b/g/n 2,4 GHz			Рабочая температура	От 0 °C до 40 °C

* Радиочастота и мощность радиопередачи			
Радиочастотные характеристики	Рабочий диапазон частот		Максимальная выходная мощность
Wi-Fi 2,4 G	2412-2472 MHz		<20 дБм
Название приспособления	Зарядная подставка электропитания	Модель	BLJ24W120200P-V
Вход	100–240 V~ 50/60 Hz 0,6 A	Выход	12,0 В --- 2,0 A
Длина шнура питания	1,6 м		

⚠ ПРЕДУПРЕЖДЕНИЕ. Для заряда батареи используйте только съемный блок питания, поставляемый с этим устройством.

# Consignes relatives à la Sécurité

Lisez attentivement ce manuel avant toute utilisation et conservez-le pour pouvoir le consulter ultérieurement.

## Avertissements

**L'utilisation incorrecte peut entraîner des décharges électriques, un incendie, des blessures personnelles ou d'autres dégâts.**

- ⊗ Cet appareil peut être utilisé par des enfants d'au moins 8 ans, des personnes aux aptitudes physiques, sensorielles et/ou mentales réduites ou encore manquant d'expérience et de connaissances à condition qu'ils soient surveillés et/ou sensibilisés à l'utilisation de manière sécurisée de l'appareil et d'avoir compris les risques impliqués. Il est déconseillé de laisser les enfants jouer avec l'appareil. Le nettoyage et l'entretien ne doivent pas être effectués par un enfant sans surveillance. (Pour les pays ou régions européens)
- ⊗ Cet appareil n'a pas été conçu pour être utilisé par des personnes (y compris des enfants) ayant des capacités physiques, sensorielles ou mentales réduites, ou ne disposant pas de l'expérience ou des connaissances nécessaires, sauf sous la supervision d'une personne responsable de leur sécurité, qui doit leur donner des instructions sur l'utilisation de l'appareil. Les enfants doivent être placés sous surveillance pour qu'ils ne jouent pas avec l'appareil. (Pour les pays ou régions non européens)
- ⊗ Les enfants doivent être placés sous surveillance pour qu'ils ne jouent pas avec l'appareil.
- ⊗ La batterie n'est pas remplaçable.
- ⊗ L'appareil ne doit être utilisé qu'avec le bloc d'alimentation fourni avec l'appareil.
- ⊗ Ne pas utiliser ce ventilateur à des endroits où il peut tomber facilement ou près d'autres objets instables.

- ⊗ Ne pas utiliser ce ventilateur dans des environnements chauds et humides tels que les salles de bain.
- ⊗ Ne pas utiliser ce ventilateur si son cordon d'alimentation est endommagé ou si sa prise d'alimentation est flasque.
- ⊗ Ne pas utiliser ce ventilateur si la grille avant n'est pas installée ou si sa grille arrière est flasque ou détachée.
- ⊗ Ne pas autoriser des adultes qui sont incapables de manipuler ce ventilateur ou des enfants de l'utiliser.
- ⊗ N'essayez pas de démonter ou de réparer ce ventilateur par vous-même.
- ⊗ Ne tirez, tordez ou recourbez pas à l'excès le cordon d'alimentation, car cela peut exposer ou casser le noyau du cordon.
- ⊗ Ne pas insérer vos doigts ou tout autre objet dans la grille avant, la grille arrière, ou les pales du ventilateur lorsque celui-ci est en cours de fonctionnement.
- ⊗ Tenir les cheveux et les tissus loin du ventilateur afin d'éviter qu'ils ne soient pris à l'intérieur.
- ⊗ Ne pas utiliser des prises d'alimentation inadaptées.
- ⊗ N'utilisez pas la base de chargement fournie avec ce ventilateur pour tout autre appareil.
- ⊗ Lors de l'entretien et du nettoyage, démontez le socle du ventilateur avant de retirer les autres pièces. Assurez-vous d'installer le socle du ventilateur en dernier lors de l'assemblage du ventilateur.
- ⊗ Dans des conditions normales d'utilisation, cet équipement doit être maintenu à une distance d'au moins 20 cm entre l'antenne et le corps de l'utilisateur.
- ⊗ Assurez-vous que le ventilateur est hors tension avant de retirer la protection.

- ⊗ Si le cordon d'alimentation est endommagé, ce dernier doit être remplacé par le fabricant, son agent de maintenance ou des personnes qualifiées afin d'éviter tout danger.
- ⊗ Ne frappez pas, n'écrasez pas, ne laissez pas tomber le produit et ne l'exposez pas à une pression.
- ⊗ Gardez le produit loin de l'eau et des sources de chaleur.
- ⊗ N'utilisez pas ce produit dans des environnements où les températures et l'humidité sont extrêmement élevées. Évitez la lumière directe du soleil.
- ⊗ Ne pas retirer, démonter ou détruire la batterie.
- ⊗ Ne chargez pas ce produit pendant une période prolongée lorsqu'il n'est pas utilisé.
- ⊗ Ce produit contient des piles non remplaçables.

## Précautions

### Installation

---

- ⚠ Pour éviter les chocs électriques, les incendies, les blessures ou tout autre dommage, veuillez suivre strictement les étapes d'installation décrites dans le manuel d'utilisation et assurez-vous que le socle du ventilateur est assemblé à la dernière étape.
- ⚠ Ne connectez pas le ventilateur à une prise de courant ou à la base de chargement s'il n'est pas complètement assemblé.
- ⚠ Éteignez ou débranchez le ventilateur avant de l'installer ou de le démonter. Ne connectez pas la base de chargement et ne touchez pas les boutons pour empêcher le ventilateur de fonctionner et de provoquer un danger.

### Transport

---

- ⚠ Tenir fermement le support du ventilateur pour éviter qu'il ne tombe et n'entraîne de blessures corporelles.

### Utilisation du ventilateur

---

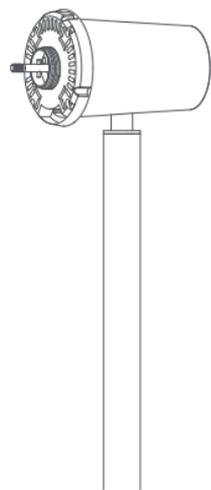
- ⚠ Cesser immédiatement d'utiliser le ventilateur lorsqu'il émet des bruits inhabituels, dégage de mauvaises odeurs, surchauffe ou lorsqu'il tourne de façon irrégulière.
- ⚠ Ne pas pencher ou incliner le ventilateur lorsqu'il est en cours de fonctionnement.
- ⚠ Ne pas pousser la tête du ventilateur de manière répétitive afin d'éviter d'endommager son mécanisme interne.

### Base de chargement

---

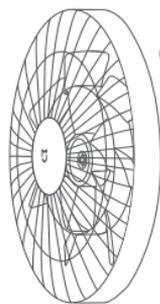
- ⚠ Pour éviter tout dommage à la batterie, chargez-la immédiatement en connectant la base de chargement lorsqu'elle est épuisée.
- ⚠ Ne débranchez pas la base de chargement en tirant directement sur le cordon ou en le faisant sortir de la prise. Au lieu de cela, retirez la fiche elle-même.
- ⚠ N'essayez pas de réparer vous-même la base de chargement si elle est endommagée.
- ⚠ Si la base de chargement est endommagée ou cassée, elle doit être remplacée par une base qualifiée achetée auprès du fabricant ou du service après-vente.

# Contenu du paquet



1

Moteur et support



2

Ensemble du ventilateur  
(la grille avant, assemblage  
des pales du ventilateur, grille arrière)



3

Socle du ventilateur  
(avec batterie au lithium intégrée)



4

Bouton de l'assemblage  
des pales du ventilateur



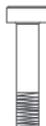
5

Bouton de la grille arrière



6

Clé Allen



7

Boulon du socle × 1



8

Vis de la grille avant × 1



9

Base de chargement

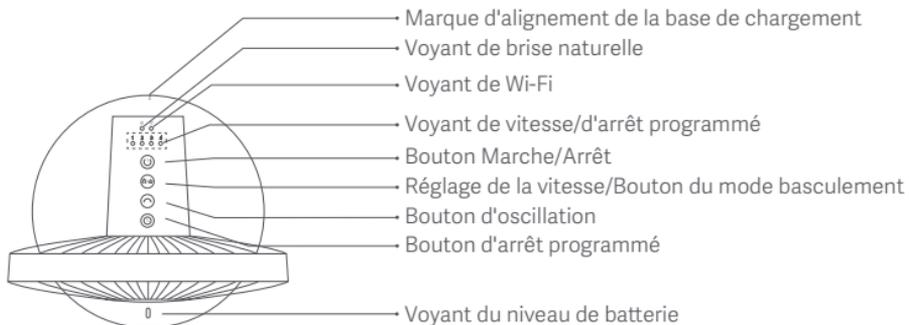


10

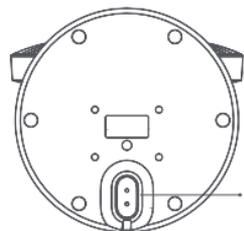
Manuel d'utilisation

Remarque : les illustrations du produit, les accessoires et l'interface utilisateur présents dans le manuel d'utilisation sont uniquement fournis à titre indicatif. Le produit actuel et les fonctions effectives peuvent varier en raison des améliorations apportées au produit.

# Présentation



Vue supérieure

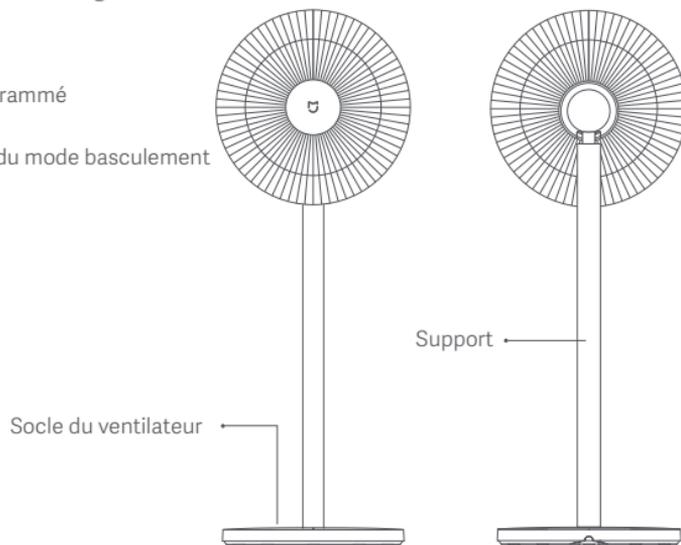


Port de charge

Face inférieure du socle du ventilateur



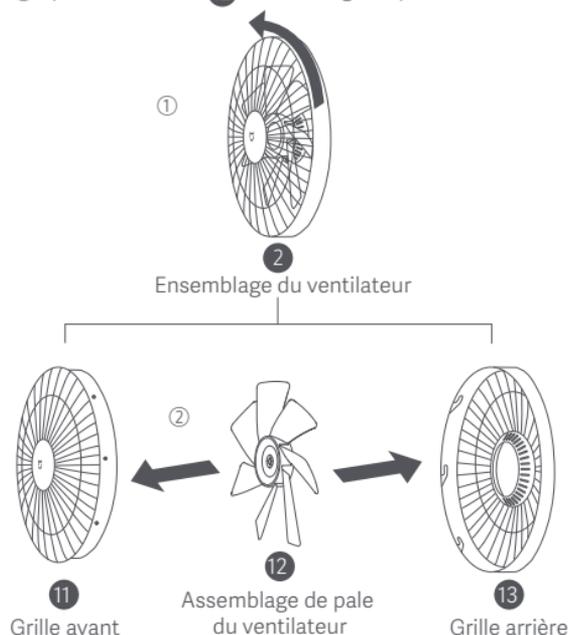
Base de chargement



# Installation

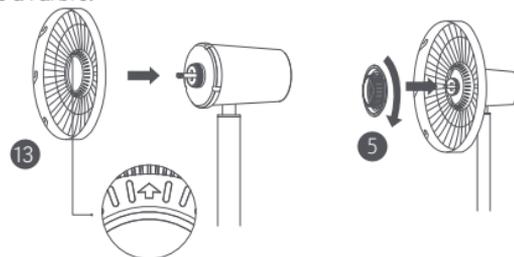
## Étape 1 : ouvrir l'assemblage du ventilateur

Tournez la **11** Grille avant dans le sens inverse des aiguilles de la montre jusqu'à ce qu'elle se sépare de la **13** Grille arrière, comme indiqué sur la figure **1** . Retirez les grilles avant et arrière comme indiqué par la figure **2** , puis retirez l'en **12** Assemblage de pale du ventilateur.



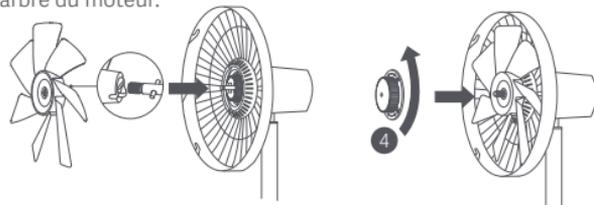
## Étape 2 : Installer la grille arrière

Installer **13** Grille arrière sur l'arbre du moteur avec « ↑ » face vers le haut, puis tournez le **5** Bouton de la grille arrière dans le sens des aiguilles d'une montre pour fixer fermement la grille arrière à l'arbre.



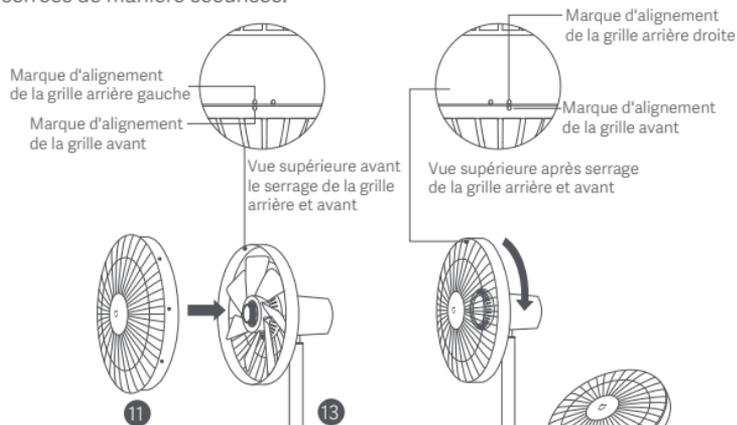
## Étape 3 : Installer l'assemblage de la pale du ventilateur

Aligner le centre du trou de l'assemblage de la pale du ventilateur avec l'arbre du moteur et l'installer sur l'arbre, puis installer le **4** Bouton de l'assemblage des pales du ventilateur dans l'arbre du moteur. Tourner la poignée dans le sens contraire des aiguilles d'une montre pour fixer l'assemblage de la pale du ventilateur sur l'arbre du moteur.



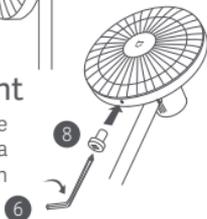
## Étape 4 : Installation de la grille avant

Aligner la marque d'alignement de la **11** Grille avant avec la marque d'alignement gauche de la **13** Grille arrière, et se rassurer que la grille avant est correctement encastrée dans la grille arrière. Tourner la grille avant dans le sens des aiguilles d'une montre jusqu'à ce que la marque d'alignement de la grille avant s'aligne avec la marque d'alignement de la grille arrière droite. Se rassurer que les grilles sont serrées de manière sécurisée.

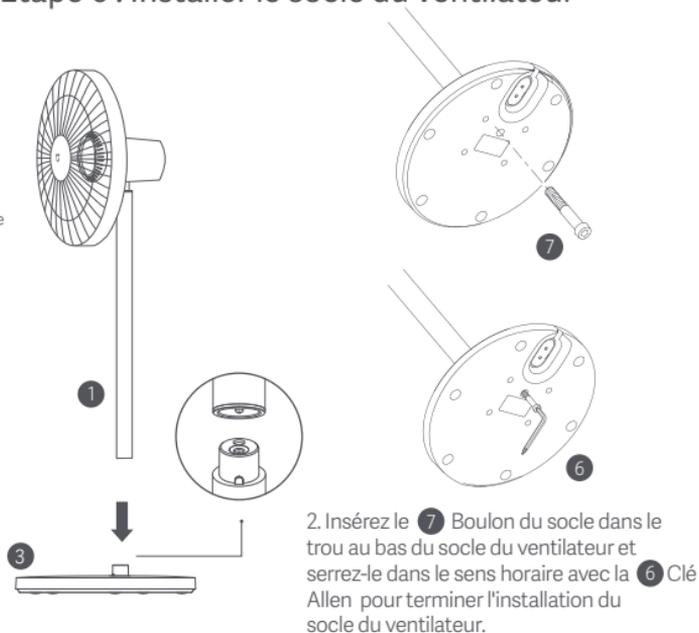


## Étape 5 : Serrage de la grille avant

Insérer la **8** Vis de la grille du ventilateur dans le trou à la base de la grille du ventilateur. Tourner la vis dans le sens des aiguilles d'une montre en utilisant la **6** Clé Allen incluse pour la serrer.



## Étape 6 : Installer le socle du ventilateur



1. Installez le **1** Moteur et le support sur le **3** Socle du ventilateur, comme illustré.

# Utilisation

## Charge en cours

- Il est recommandé de charger complètement le ventilateur avant utilisation.
- Connectez la base de chargement au port de charge en bas du socle du ventilateur, puis branchez la base de chargement.
- Lorsque l'indicateur de niveau de batterie clignote, le ventilateur est correctement connecté à la base de chargement.
- Vous pouvez utiliser ce ventilateur en vous connectant à une prise de courant ou non. Le ventilateur est équipé d'un module Wi-Fi intégré et la consommation d'énergie se produit même lorsqu'il est éteint. Chargez complètement le ventilateur puis éteignez-le, la batterie peut durer environ 2 jours. Pour maintenir les performances optimales de la batterie, il est recommandé de continuer à charger le ventilateur s'il n'est pas utilisé.



Connecter l'appareil à la prise de courant.

Statut du ventilateur	Niveau de batterie	Voyant du niveau de batterie
Marche/Arrêt	≤30%	Orange clignotant
	30-100%	Blanc clignotant
	100%	Arrêt

Non connexion à la sortie d'alimentation

Statut du ventilateur	Niveau de batterie	Voyant du niveau de batterie
Marche	30-100%	Blanc
	1-30%	Orange
	0%	Arrêt (le ventilateur s'arrête automatiquement)
Arrêt	0-100%	Arrêt

## Allumer/Éteindre

### Activation

Appuyer le bouton pour démarrer le ventilateur. Lorsque celui-ci est allumé pour la première fois, la vitesse par défaut est fixée à faible (1), et le mode est brise directe.

### Désactivation

Appuyez sur le bouton pour arrêter le ventilateur pendant qu'il fonctionne.

## Changement de vitesse/mode

### Changement de vitesse

Appuyez sur le bouton pour régler la vitesse et les indicateurs correspondants s'allument (voir tableau ci-dessous). Une fois le ventilateur éteint et rallumé, la vitesse sera la dernière utilisée.

Vitesse	Faible (1)	Moyen (2)	Rapide (3)	Turbo (4)
Indicateur	●●●●	★●●●	★★★●	★★★★

Remarque : ★ signifie que l'indicateur est allumé ; ● signifie que l'indicateur est éteint.

## Changer de mode

Maintenez le bouton  enfoncé pour basculer entre la brise directe et la brise naturelle. L'indicateur est éteint en mode brise directe et est allumé en mode brise naturelle. Une fois le ventilateur éteint et rallumé, le mode sera le dernier utilisé.

## Activation/désactivation de l'oscillation

Appuyez sur le bouton  pour activer ou désactiver l'oscillation. Vous pouvez définir la plage d'angle d'oscillation dans l'application. Une fois le ventilateur éteint et rallumé, le réglage d'oscillation sera le dernier utilisé.

Remarque : Lorsque la connexion Wi-Fi est réinitialisée, la plage d'angle d'oscillation passe à l'angle par défaut de 90°. Débranchez puis branchez le ventilateur ou réinitialisez la connexion Wi-Fi, puis allumez le ventilateur. Il oscillera automatiquement son angle si vous activez la fonction d'oscillation. Le temps d'oscillation varie en fonction de différents angles, veuillez patienter.

## Arrêt programmé<sup>1</sup>

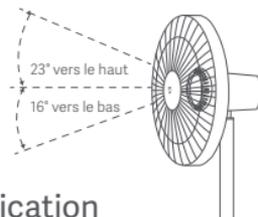
Appuyer le bouton  pour basculer à travers les durées d'extinction différées : 1 heure, 2 heures, 3 heures, 4 heures et désactivé et le (s) de statut correspondant(s) sera/seront activé(s) (voir le tableau ci-dessous). Cinq secondes après l'utilisation de la fonction d'extinction différée, le(s) voyant(s) de statut affichera/afficheront l'état correspondant de la vitesse actuellement sélectionnée.

Programmé	Désactivé	1 heure	2 heures	3 heures	4 heures
Indicateur	● ● ● ●	* ● ● ●	* * ● ●	* * * ●	* * * *

Remarque : \* signifie que l'indicateur est allumé ; ● signifie que l'indicateur est éteint. Pour des options d'extinction différée (jusqu'à 8 heures), veuillez accéder à l'application Mi Home/Xiaomi Home.

## Ajustez la direction du flux d'air

Soulever légèrement ou appuyer la tête du ventilateur ou la grille du ventilateur vers le bas pour régler le flux d'air vers le haut ou vers le bas.



## Connexion avec l'application Mi Home/Xiaomi Home

Ce produit fonctionne avec l'application Mi Home/Xiaomi Home\*. Contrôlez votre appareil avec l'application Mi Home/Xiaomi Home.

Scannez le code QR pour télécharger et installer l'application. Vous serez redirigé vers la page de configuration si l'application est déjà installée. Sinon, recherchez « Mi Home/Xiaomi Home » dans l'App Store pour la télécharger et l'installer. Ouvrez l'application Mi Home/Xiaomi Home, touchez l'icône « + » en haut à droite et suivez les invites pour ajouter votre appareil.

\* Cette application est appelée l'application Xiaomi Home en Europe (sauf en Russie). Le nom de l'application qui s'affiche sur votre appareil devrait être utilisé comme nom par défaut.

Remarque : la version de l'application a été mise à jour. Suivez les instructions basées sur la version actuelle de l'application.



## Connexion au Wi-Fi

Appuyer et maintenir les boutons  et . L'émission du bip indique le ventilateur est en attente d'une connexion, puis vous pouvez l'apparier avec un appareil à travers l'application.

#### Description de l'indicateur et Statut du Wi-Fi

Statut Wi-Fi	En attente de connexion	Connexion en cours	Connecté	Échec de la connexion
Indicateur	Orange clignotant	Clignotement bleu	Bleu	Orange

## Réinitialisation du Wi-Fi

Appuyez simultanément sur les boutons  et  et maintenez-les enfoncés. Une fois que vous entendez un long bip, la connexion Wi-Fi a été réinitialisée avec succès, puis le ventilateur attend une connexion. La connexion Wi-Fi doit être réinitialisée dans les circonstances énumérées ci-dessous.

- Le compte Mi auquel le ventilateur est apparié a été changé.
- Le routeur auquel le ventilateur est connecté a été changé.
- Le compte ou le mot de passe du routeur auquel le ventilateur est connecté a été changé.
- L'application Mi Home/Xiaomi Home ne peut pas contrôler le ventilateur.

## Verrouillage de protection anti enfant

### Activé

Vous pouvez activer la fonction de verrouillage anti enfant dans l'application Mi Home/Xiaomi Home. Une fois activé, le ventilateur ne réagira pas aux fonctionnements du bouton, au contraire, tous les voyants vont clignoter deux fois émettant deux bips.

### Désactiver

Vous pouvez désactiver la fonction de verrouillage enfant dans l'application Mi Home/Xiaomi Home. La réinitialisation de la connexion Wi-Fi peut également désactiver cette fonction.

## Entretien et maintenance

### Parties lavables

Les parties énumérées ci-dessous peuvent être nettoyées à l'aide d'un tissu doux ou une éponge à l'aide de l'eau ou du détergent neutre.



11

Grille avant de pale du ventilateur



12

Assemblage



13

Grille arrière



5

Bouton de la grille arrière

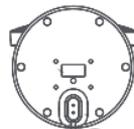
⚠ Remarque : Avant de nettoyer les pièces, arrêtez et débranchez le ventilateur. Démontez ensuite du socle du ventilateur en premier. Lors de l'assemblage du ventilateur, assurez-vous que toutes les pièces sont complètement sèches et que le socle du ventilateur est installé en dernier. Évitez la lumière directe du soleil.

### Pièces non lavables



4

Bouton de l'assemblage



3

Socle du ventilateur



9

Base de chargement



1

Moteur et support

des pales du ventilateur

⚠ Remarque : Ne rincez pas les pièces énumérées ci-dessus avec de l'eau. N'utilisez pas de diluant, d'essence, de détergent ou de détergent alcalin pour nettoyer les pièces.

## Dépannage

Panne	Cause possible	Solution
Le ventilateur ne fonctionne pas	Le support ne se connecte pas correctement au socle du ventilateur.	Installez correctement le socle du ventilateur avec le support.
	Verrouillage de protection anti enfant activé.	Désactivez la fonction de verrouillage enfant.
	La batterie est épuisée.	Connectez la base de chargement pour l'utiliser comme source d'alimentation.
Taper pour se connecter au Wi-Fi	La connexion Wi-Fi est de 5 GHz.	Connecter à une connexion Wi-Fi de 2,4 GHz.
	Le ventilateur est hors ligne pendant plus d'une demi-heure.	Réinitialisation du Wi-Fi.
Les pales du ventilateur sont bloquées	Les pales du ventilateur sont bloquées par un corps étranger.	Débrancher le ventilateur puis retirer le corps étranger.
l'indicateur de niveau de batterie ne s'allume pas	La batterie entre en protection de sommeil.	Connectez la base de chargement pour activer la batterie.
La fonction d'oscillation ne fonctionne pas.	Le ventilateur est en état d'auto-oscillation.	Attendez que l'auto-oscillation soit terminée. Cela durera au maximum 14 secondes.

## Caractéristiques

Nom	Mi Smart Standing Fan Pro	Tension nominale	12 V $\ddot{=}$	Type de batterie	Batterie aux ions lithium
Modèle	ZLBPSP01XY	Puissance nominale	24 W	Capacité de la Batterie	2800 mAh
Type	Ventilateur sur pied	Émission acoustique	≤55 dB(A)	Entrée de charge	12 V $\ddot{=}$ 2 A
Poids net	3,2 kg	Dimensions du produit	950 × 343 × 330 mm	Tension de charge limitée	14 V $\ddot{=}$
Connectivité sans fil	Wi-Fi IEEE 802,11b/g/n 2,4 GHz			Température de fonctionnement	0 °C à + 40 °C

Nom de l'accessoire	Base de chargement	Modèle	BLJ24W120200P-V
Entrée	100–240 V~ 50/60 Hz 0,6 A	Sortie	12,0 V= 2,0 A
Longueur du cordon d'alimentation	1,6 m		

*Fréquence radio et puissance de transmission radio		
Caractéristique RF	Fréquence de Fonctionnement	Puissance maximale en sortie
2,4 G Wi-Fi	2412-2472 MHz	<20 dBm

⚠ AVERTISSEMENT : Pour charger la batterie, utilisez uniquement l'unité d'approvisionnement amovible fournie avec cet appareil.



Par la présente, Zhejiang Xingyue Electric Equipment Co., Ltd. déclare que cet équipement radio de type ZLBPSP01XY est conforme à la Directive européenne 2014/53/UE. L'intégralité de la déclaration de conformité pour l'UE est disponible à l'adresse suivante : <http://www.mi.com/global/service/support/declaration.html>



Tous les produits portant ce symbole deviennent des déchets d'équipements électriques et électroniques (DEEE dans la Directive européenne 2012/19/UE) qui ne doivent pas être mélangés aux déchets ménagers non triés. Vous devez contribuer à la protection de l'environnement et de la santé humaine en apportant l'équipement usagé à un point de collecte dédié au recyclage des équipements électriques et électroniques, agréé par le gouvernement ou les autorités locales. Le recyclage et la destruction appropriés permettront d'éviter tout impact potentiellement négatif sur l'environnement et la santé humaine. Contactez l'installateur ou les autorités locales pour obtenir plus d'informations concernant l'emplacement ainsi que les conditions d'utilisation de ce type de point de collecte.

# Sicherheitshinweise

Lesen Sie diese Handbuch vor der Verwendung sorgfältig und bewahren Sie es auf, um zukünftig die Informationen nachlesen zu können.

## Warnungen

Unsachgemäßer Gebrauch kann zu Stromschlägen, Feuer, Verletzungen oder anderen Schäden führen.

- ⊗ Dieses Gerät ist für Kindern ab einem Alter von 8 und Personen geeignet, die körperlich, sensorisch oder geistig behindert sind oder nicht über ausreichend Erfahrung oder Kenntnisse verfügen, wenn sie eine Beaufsichtigung oder Anweisung zur sicheren Nutzung des Geräts erhalten haben und wissen, welche Gefahren auftreten können. Kinder dürfen nicht mit dem Gerät spielen. Die Reinigung und Wartung darf von Kindern nur unter Aufsicht vorgenommen werden. (Für europäische Länder oder Regionen)
- ⊗ Dieses Gerät ist nicht für die Nutzung durch Personen (inklusive Kinder) mit eingeschränkten körperlichen, sensorischen oder mentalen Fähigkeiten, oder für Personen mit einem Mangel an Erfahrung und Wissen geeignet, es sei denn, diese wurden beaufsichtigt oder erhielten von einer Person, die für ihre Sicherheit verantwortlich ist, eine Anleitung bezüglich der Bedienung des Gerätes.  
Kinder sollten beaufsichtigt werden, um sicherzustellen, dass sie nicht mit dem Gerät spielen. (Für nicht europäische Länder oder Regionen)
- ⊗ Kinder sollten beaufsichtigt werden, um sicherzustellen, dass sie nicht mit dem Gerät spielen.
- ⊗ Die Batterie ist nicht austauschbar.
- ⊗ Das Gerät darf nur mit dem zum Gerät mitgelieferten Netzteil verwendet werden.
- ⊗ Verwenden Sie diesen Ventilator nicht an Orten, an denen er leicht umstürzen kann oder an denen sich andere instabile Gegenstände in der Nähe befinden.
- ⊗ Verwenden Sie diesen Ventilator nicht in heißen und feuchten Umgebungen wie z. B. im Badezimmer.
- ⊗ Verwenden Sie diesen Ventilator nicht, wenn sein Stromkabel beschädigt oder sein Netzstecker lose ist.
- ⊗ Verwenden Sie diesen Ventilator nicht, wenn das vordere Gitter nicht installiert ist oder das hintere Gitter lose ist oder abgefallen ist.
- ⊗ Erlauben Sie Kindern oder Erwachsenen, die nicht in der Lage sind, diesen Ventilator zu bedienen, nicht, dieses Produkt zu verwenden.
- ⊗ Versuchen Sie nicht, diesen Ventilator selbst zu zerlegen oder zu reparieren.
- ⊗ Ziehen, verdrehen oder verbiegen Sie das Stromkabel nicht zu stark, da dies den Kern des Kabels freilegen oder brechen kann.
- ⊗ Stecken Sie Ihre Finger oder andere Gegenstände nicht in das vordere Gitter, das hintere Gitter oder die Ventilatorblätter, wenn der Ventilator in Betrieb ist.
- ⊗ Halten Sie Haare und Stoffe vom Ventilator fern, um zu vermeiden, dass sie sich im Ventilator verfangen.
- ⊗ Verwenden Sie keine ungeeignete Steckdose.
- ⊗ Verwenden Sie die mit diesem Ventilator mitgelieferte Ladestation nicht für andere Geräte.
- ⊗ Demontieren Sie den Ventilatorsockel bei Wartungs- und Reinigungsarbeiten, bevor Sie andere Teile entfernen. Achten Sie darauf, dass Sie den Ventilatorsockel beim Zusammenbau des Ventilators zuletzt installieren.
- ⊗ Unter normalen Einsatzbedingungen muss dieses Gerät einen Abstand von mindestens 20 cm zwischen der Antenne und dem Körper des Benutzers einhalten.
- ⊗ Stellen Sie sicher, dass der Lüfter vom Stromnetz getrennt ist, bevor Sie die Schutzvorrichtung entfernen.

- ⊗ Wenn das Netzkabel beschädigt ist, muss dieses vom Hersteller selbst oder von einer herstellereigenen Reparatur-Werkstatt oder von ähnlich qualifizierten Personen ersetzt werden, um Gefahren zu vermeiden.
- ⊗ Schlagen Sie nicht auf das Produkt, zerdrücken Sie es nicht und lassen Sie es nicht fallen, und setzen Sie es keinem Druck aus.
- ⊗ Halten Sie das Produkt von Wasser und Wärmequellen fern.
- ⊗ Verwenden Sie dieses Produkt nicht in Umgebungen, in denen die Temperaturen und die Luftfeuchtigkeit extrem hoch sind. Das Produkt nicht direktem Sonnenlicht aussetzen.
- ⊗ Akku nicht entfernen, zerlegen oder zerstören.
- ⊗ Laden Sie dieses Produkt nicht über einen längeren Zeitraum auf, wenn es nicht in Gebrauch ist.
- ⊗ Dieses Produkt enthält Akkus, die nicht ausgewechselt werden können.

## Vorsichtsmaßnahmen

### Installation

---

- ⚠ Um Stromschläge, Feuer, Verletzungen oder andere Schäden zu vermeiden, befolgen Sie bitte strikt die im Benutzerhandbuch angegebenen Installationsschritte und stellen Sie sicher, dass der Ventilatorsockel im letzten Schritt montiert wird.
- ⚠ Schließen Sie den Ventilator nicht an eine Steckdose oder die Ladestation an, wenn er nicht vollständig zusammengesetzt ist.
- ⚠ Schalten Sie den Ventilator aus oder ziehen Sie den Netzstecker, bevor Sie ihn montieren oder demontieren. Schließen Sie die Ladestation nicht an und berühren Sie nicht die Tasten, um zu verhindern, dass der Ventilator läuft und eine Gefahr darstellt.

### Transport

---

- ⚠ Halten Sie den Ventilatorständer fest, um ein Herabfallen und Verletzungen zu vermeiden.

### Verwendung des Ventilators

---

- ⚠ Stellen Sie die Verwendung des Ventilators sofort ein, wenn er ungewöhnliche Geräusche macht, schlechte Gerüche abgibt, sich überhitzt oder sich unregelmäßig dreht.
- ⚠ Lehnen Sie sich nicht an den laufenden Ventilator und kippen Sie ihn nicht, während er läuft.
- ⚠ Schütteln Sie nicht wiederholt den Kopf des Ventilators, um Schäden am internen Mechanismus zu vermeiden.

### Ladestation

---

- ⚠ Um Schäden am Akku zu vermeiden, laden Sie den Akku sofort auf, indem Sie die Ladestation anschließen, wenn er erschöpft ist.
- ⚠ Ziehen Sie den Stecker der Ladestation nicht durch direktes Ziehen an der Schnur oder durch Wackeln aus der Steckdose heraus. Ziehen Sie stattdessen den Stecker selbst aus der Steckdose.
- ⚠ Versuchen Sie nicht, die Ladestation selbst zu reparieren, wenn sie beschädigt ist.
- ⚠ Wenn die Ladestation beschädigt oder kaputt ist, muss sie durch eine geprüfte Ladestation ersetzt werden, die beim Hersteller oder beim Kundendienst gekauft wurde.

# Verpackungsinhalt

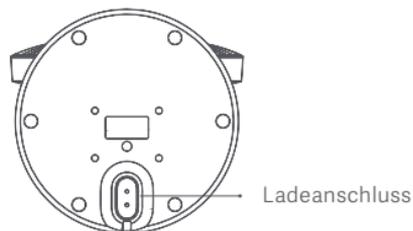


Hinweis: Abbildungen des Produkts, des Zubehörs und der Benutzeroberfläche in der Benutzerhandbuch dienen nur als Referenz. Die tatsächlichen Produkte und Funktionen können aufgrund von Produktverbesserungen variieren.

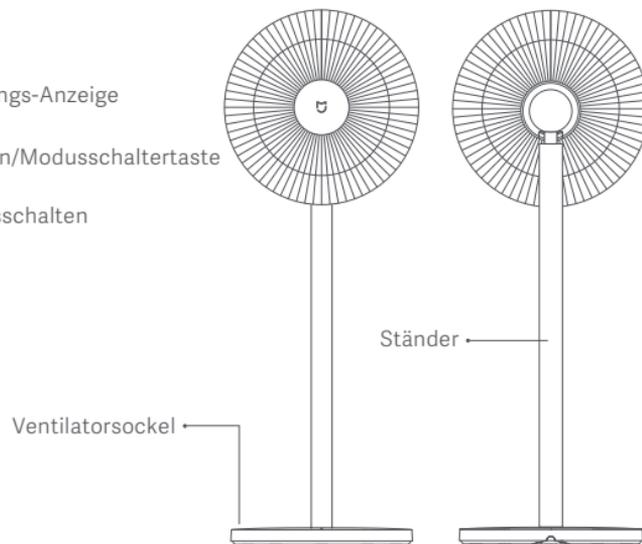
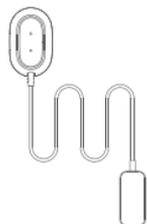
# Übersicht



Draufsicht



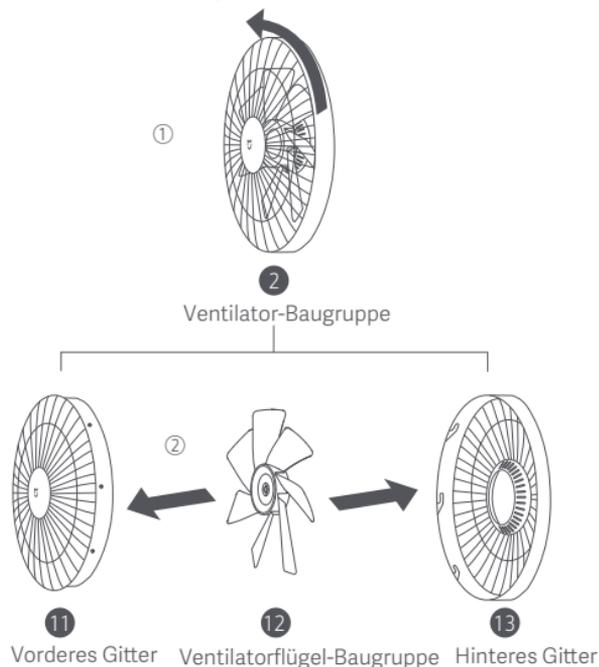
Unterseite des Ventilatorsockels



# Installation

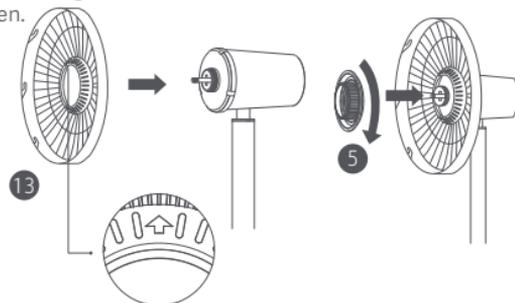
## Schritt 1: Öffnen Sie die Ventilator-Baugruppe

Drehen Sie das **11** Vorderes Gitter gegen den Uhrzeigersinn, bis es sich vom **13** Hinteren Gitter löst, wie in Abbildung ① dargestellt. Entfernen Sie das vordere und hintere Gitter, wie in Abbildung ② gezeigt, und nehmen Sie dann die **12** Ventilatorflügel-Baugruppe heraus.



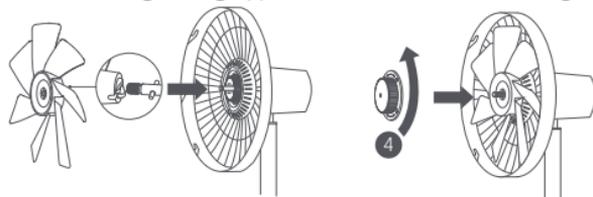
## Schritt 2: Installieren des hinteren Gitters

Installieren Sie **13** Hinteres Gitter auf der Motorwelle, wobei "↑" nach oben zeigt, und drehen Sie dann den **5** Knopf für hinteres Gitter im Uhrzeigersinn, um das hintere Gitter fest an der Welle zu befestigen.



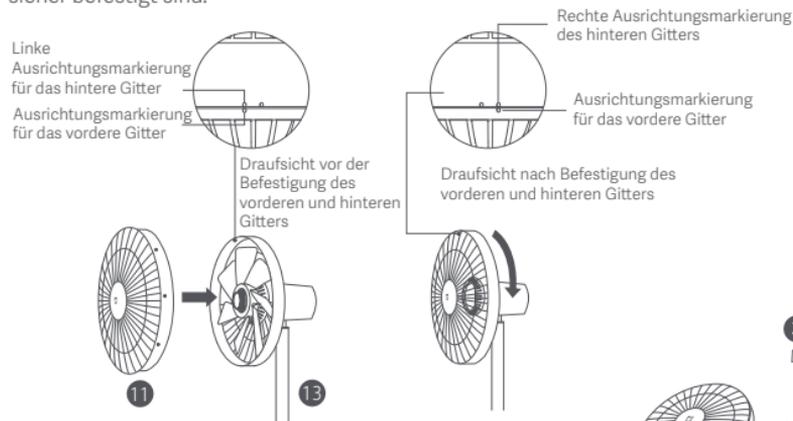
## Schritt 4: Installieren der Ventilatorflügel-Baugruppe

Richten Sie das Mittelloch der Ventilatorflügel-Baugruppe auf die Motorwelle aus und installieren Sie sie auf der Welle, dann montieren Sie den **4** Knopf der Ventilatorflügel-Baugruppe auf der Motorwelle. Den Knopf gegen den Uhrzeigersinn drehen, um die Ventilatorflügel-Baugruppe an der Motorwelle zu befestigen.



## Schritt 4: Installieren Sie das vordere Gitter

Richten Sie Ausrichtungsmarkierung für das **11** Vordere Gitter an der linken Ausrichtungsmarkierung für das **13** Hintere Gitter aus und stellen Sie sicher, dass das vordere Gitter richtig in das hintere Gitter eingebettet ist. Drehen Sie das vordere Gitter im Uhrzeigersinn, bis die Ausrichtungsmarkierung für das vordere Gitter mit der rechten Ausrichtungsmarkierung für das hintere Gitter übereinstimmt. Stellen Sie sicher, dass die Gitter sicher befestigt sind.

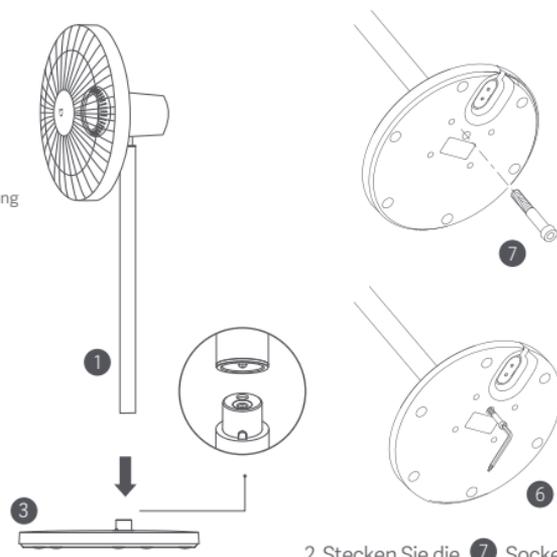


## Schritt 5: Befestigen Sie das vordere Gitter

Stecken Sie die **8** Schraube des Ventilatorgitters in die Bohrung am Boden des Ventilatorgitters. Drehen Sie die Schraube im Uhrzeigersinn, indem Sie sie mit dem mitgelieferten **6** Inbusschlüssel anziehen.



## Schritt 6: Installieren des Ventilatorsockels



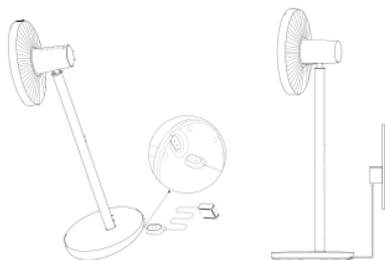
1. Installieren Sie den **1** Motor & Ständer auf dem **3** Ventilatorsockel, wie abgebildet.

2. Stecken Sie die **7** Sockelschraube in das Loch an der Unterseite des Ventilatorsockels und ziehen Sie sie im Uhrzeigersinn mit dem **6** Inbusschlüssel fest, um die Installation des Ventilatorsockels abzuschließen.

# Verwendung

## Ladevorgang läuft

- Es wird empfohlen, den Ventilator vor der Verwendung vollständig aufzuladen.
- Schließen Sie die Ladestation an den Ladeanschluss an der Unterseite des Ventilatorsockels an und schließen Sie dann die Ladestation an.
- Wenn die Akkuladestandsanzeige blinkt, ist der Ventilator erfolgreich an die Ladestation angeschlossen.
- Sie können diesen Ventilator verwenden, indem Sie ihn entweder an eine Steckdose anschließen oder nicht. Der Ventilator ist mit einem eingebauten WLAN-Modul ausgestattet, und der Stromverbrauch erfolgt auch im ausgeschalteten Zustand. Laden Sie den Ventilator vollständig auf und schalten Sie ihn dann aus. Der Akku kann etwa 2 Tage lang halten. Um eine optimale Akkuleistung aufrechtzuerhalten, wird empfohlen, den Ventilator weiter aufzuladen, wenn er nicht in Gebrauch ist.



Schließen Sie ihn an die Steckdose an

Ventilator-Status	Akkuladestand	Akkuladestandsanzeige
Ein/Aus	≤30%	Orangefarbenes Blinken
	30%–100%	Weiß blinkend
	100%	Aus

Nicht an eine Steckdose angeschlossen

Ventilator-Status	Akkuladestand	Akkuladestandsanzeige
Ein	30–100%	Weiß
	1–30%	Orange
	0%	Aus (Der Ventilator schaltet sich automatisch aus)
Aus	0–100%	Aus

## Ein- / Ausschalten

### Einschalten

Drücken Sie die Taste , um den Ventilator zu starten. Wenn er zum ersten Mal eingeschaltet wird, ist die Standarddrehzahl langsam (1) und der Modus ist die direkte Brise.

### Ausschalten

Drücken Sie die Taste , um den Ventilator bei laufendem Betrieb zu stoppen.

## Wechsel von Drehzahl / Modus

### Wechsel der Drehzahl

Drücken Sie die Taste , um die Drehzahl einzustellen, und die entsprechenden Anzeigen leuchten auf (siehe Tabelle unten). Nachdem der Ventilator aus- und wieder eingeschaltet wurde, ist die Drehzahl die zuletzt verwendete.

Drehzahl	Langsam (1)	Mittel (2)	Schnell (3)	Turbo (4)
Anzeiger	★●●●	★★●●	★★★●	★★★★

Hinweis: ★ bedeutet, dass die Anzeige eingeschaltet ist;  
● bedeutet, dass die Anzeige ausgeschaltet ist.

## Wechseln des Modus

Halten Sie die Taste  gedrückt, um zwischen direkter Brise und natürlicher Brise zu wechseln. Die Anzeige ist im Modus der direkten Brise ausgeschaltet und im Modus der natürlichen Brise eingeschaltet. Nachdem der Ventilator aus- und wieder eingeschaltet wurde, ist dieser Modus der zuletzt verwendete.

## Oszillation aktivieren/deaktivieren

Drücken Sie die Taste , um die Oszillation zu aktivieren oder zu deaktivieren. Sie können den Oszillationswinkelbereich in der App einstellen. Nachdem der Ventilator aus- und wieder eingeschaltet wurde, ist die Oszillationseinstellung die zuletzt verwendete.

Hinweis: Wenn die WLAN-Verbindung zurückgesetzt wird, ändert sich der Oszillationswinkelbereich auf den Standardwinkel von 90°. Ziehen Sie den Stecker heraus und schließen Sie den Ventilator an oder setzen Sie die WLAN-Verbindung zurück und schalten Sie dann den Ventilator ein. Er oszilliert automatisch in seinem Winkel, wenn die Oszillationsfunktion aktiviert ist. Die Oszillationszeit hängt von den verschiedenen Winkeln ab, bitte warten Sie mit Geduld.

## Zeitgesteuertes Ausschalten

Drücken Sie die Taste , um die Verzögerung der Ausschaltzeiten zu durchlaufen: 1 Stunde, 2 Stunden, 3 Stunden, 4 Stunden und deaktiviert, und die entsprechende(n) Anzeige(n) leuchtet/leuchten auf (siehe Tabelle unten). Fünf Sekunden nach Verwendung der verzögerten Ausschaltfunktion zeigen die Anzeige(n) den entsprechenden Status der aktuell gewählten Drehzahl an.

Geplant	Deaktiviert	1 Stunde	2 Stunden	3 Stunden	4 Stunden
Anzeiger	●●●●	*●●●	*●●●	*●●●	*●●●

Hinweis: \* bedeutet, dass die Anzeige eingeschaltet ist; ● bedeutet, dass die Anzeige ausgeschaltet ist. Für weitere Optionen zum verzögerten Ausschalten (bis zu 8 Stunden), gehen Sie bitte zur Mi Home/Xiaomi Home App.

## Einstellen der Luftstromrichtung

Heben oder drücken Sie den Ventilatorkopf oder das Ventilatorgitter vorsichtig, um den Luftstrom nach oben oder unten zu regulieren.



## Mit der Mi Home-/Xiaomi Home-App verbinden

Dieses Produkt funktioniert mit der Mi Home-/Xiaomi Home-App\*. Steuern Sie Ihr Gerät mit der Mi Home-/Xiaomi Home-App.

Scannen Sie den QR-Code, um die App herunterzuladen und zu installieren. Ist die App bereits installiert, werden Sie zur Verbindungseinstellungs-Seite weitergeleitet. Sie können aber auch im App Store nach „Mi Home/Xiaomi Home“ suchen, um die App herunterzuladen und zu installieren.

Öffnen Sie die Mi Home-/Xiaomi Home-App, tippen Sie auf das „+“ oben rechts und befolgen Sie die Anweisungen auf dem Bildschirm, um Ihr Gerät hinzuzufügen.

\* In Europa (außer in Russland) wird die App unter dem Namen Xiaomi Home-App geführt. Der auf Ihrem Gerät angezeigte Name der App sollte standardmäßig verwendet werden.

Hinweis: Die Version der App wurde möglicherweise aktualisiert. Befolgen Sie bitte die Anweisungen zur aktuellen App-Version.



## Mit WLAN verbinden

Halten Sie die Tasten  und  gleichzeitig gedrückt. Sobald Sie einen langen Piepton hören, wartet der Ventilator auf eine Verbindung, dann können Sie ihn mit einem Gerät über die App koppeln.

## WLAN-Status und Anzeigerbeschreibung

WLAN-Status	Warten auf Verbindung	Verbindung wird hergestellt	Verbunden	Verbindung fehlgeschlagen
Anzeiger	Orangefarbenes Blinken	Blaues Blinken	Blau	Orange

## WLAN –Verbindung zurücksetzen

Halten Sie gleichzeitig die Tasten  und  gedrückt. Sobald Sie einen langen Piepton hören, ist die WLAN-Verbindung erfolgreich zurückgesetzt worden, und dann wartet der Ventilator auf eine Verbindung. Die WLAN-Verbindung muss unter den unten aufgeführten Umständen zurückgesetzt werden.

- Das Mi-Konto, mit dem der Ventilator gekoppelt ist, wurde geändert.
- Der Router, mit dem der Ventilator verbunden ist, wurde geändert.
- Das Konto oder Passwort des Routers, mit dem der Ventilator verbunden ist, wurde geändert.
- Die Mi Home/Xiaomi Home App kann den Ventilator nicht steuern.

## Kindersicherung

### Aktivieren

Sie können die Funktion der Kindersicherung in der Mi Home/Xiaomi Home App aktivieren. Sobald sie aktiviert ist, reagiert der Ventilator nicht mehr auf Tastenbetätigungen, stattdessen blinken alle Anzeigen zweimal mit zwei Pieptönen.

### Deaktivieren

Sie können die Kindersicherungsfunktion in der Mi Home/Xiaomi Home App deaktivieren. Das Zurücksetzen der WLAN-Verbindung kann diese Funktion ebenfalls deaktivieren.

## Pflege und Wartung

### Abwaschbare Teile

Die unten aufgeführten Teile können mit einem weichen Tuch oder Schwamm mit Wasser oder einem neutralen Reinigungsmittel gereinigt werden.



11

Vorderes Gitter



12

Ventilatorflügel-Baugruppe



13

Hinteres Gitter



5

Knopf für hinteres Gitter

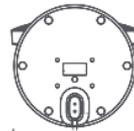
- ⚠ Hinweis: Vor dem Reinigen der Teile den Ventilator ausschalten und den Stecker ziehen. Demontieren Sie dann zuerst den Ventilatorsockel. Achten Sie beim Zusammenbau des Ventilators darauf, dass alle Teile vollständig trocken sind und der Ventilatorsockel zuletzt installiert wird. Vermeiden Sie direkte Sonneneinstrahlung.

### Nicht abwaschbare Teile



4

Knopf der Ventilatorflügel-Baugruppe



3

FVentilatorsockel



9

Ladestation



1

Motor & Ständ

- ⚠ Hinweis: Spülen Sie die oben aufgeführten Teile nicht mit Wasser ab. Verwenden Sie zum Reinigen der Teile keine Verdüner, Benzin, Reinigungsmittel oder alkalische Reinigungsmittel.

## Fehlerbehebung

Fehler	Mögliche Ursache	Lösung
Der Ventilator funktioniert nicht	Der Ständer lässt sich nicht richtig an den Ventilatorsockel anschließen.	Installieren Sie den Ventilatorsockel korrekt mit dem Ständer.
	Kindersicherung aktiviert.	Deaktivieren Sie die Kindersicherungsfunktion.
	Akku ist erschöpft.	Schließen Sie die Ladestation an, um sie als Stromquelle zu verwenden.
Kann nicht mit dem WLAN verbinden	Die WLAN-Verbindung hat eine Frequenz von 5 GHz.	Stellen Sie eine Verbindung zu einem 2,4 GHz WLAN-Netz her.
	Der Ventilator ist mehr als eine halbe Stunde lang ohne Verbindung.	WLAN-Verbindung zurücksetzen.
Ventilatorflügel klemmen	Die Ventilatorflügel sind durch einen Fremdkörper blockiert.	Ziehen Sie den Stecker des Ventilators ab und entfernen Sie den Fremdkörper.
Akku-Ladestandsanzeige leuchtet nicht auf	Der Akku tritt in den Schlafschutz ein.	Schließen Sie die Ladestation an, um den Akku zu aktivieren.
Die Oszillationsfunktion funktioniert nicht.	Der Ventilator befindet sich im Zustand der automatischen Oszillation.	Warten Sie, bis die automatische Oszillation abgeschlossen ist. Sie dauert höchstens 14 Sekunden.

## Spezifikationen

Bezeichnung	Mi Intelligenter Standventilator Pro	Nennspannung	12 V $\overline{\text{---}}$	Akkutyp	Lithium-Ionen-Akku
Modell	ZLBSP01XY	Nennleistung	24 W	Akkuleistung	2800 mAh
Typ	Standventilator	Geräuschemission	≤55 dB(A)	Ladeingang	12 V $\overline{\text{---}}$ 2 A
Nettogewicht	3,2 kg	Artikelmaße	950 × 343 × 330 mm	Begrenzte Ladespannung	14 V $\overline{\text{---}}$
WLAN-Verbindung	Wi-Fi IEEE 802,11b/g/n 2,4 GHz			Betriebstemperatur	0 °C bis 40 °C

Zubehörname	Ladestation	Modell	BLJ24W120200P-V
Eingang	100-240 V~ 50/60 Hz 0,6 A	Ausgang	12,0 V=; 2,0 A
Stromkabellänge	1,6 m		

*Radiofrequenz und Funkübertragungsleistung		
RF Spezifikation	Arbeitsfrequenz	Maximale Ausgangsleistung
2,4 G Wi-Fi	2412-2472 MHz	<20 dBm

⚠ WARNUNG: Zum Aufladen des Akkus darf ausschließlich das im Lieferumfang dieses Geräts enthaltene abnehmbare Netzteil verwendet werden.



Hiermit bestätigt Zhejiang Xingyue Electric Equipment Co., Ltd. dass das Funkgerät des Typs ZLBSP01XY mit der Verordnung 2014/53/EU in Einklang steht. Der vollständige Wortlaut der EU-Konformitätserklärung ist unter der folgenden Internetadresse abrufbar: <http://www.mi.com/global/service/support/declaration.html>



Alle mit diesem Symbol gekennzeichneten Produkte sind Elektroschrott und Elektrogeräte (WEEE entsprechend EU-Richtlinie 2012/19/EU) und dürfen nicht mit unsortiertem Haushaltsmüll vermischt werden. Schützen Sie stattdessen Ihre Mitmenschen und die Umwelt, indem Sie Ihre zu entsorgenden Geräte an eine dafür vorgesehene, von der Regierung oder einer lokalen Behörde eingerichtete Sammelstelle zum Recycling von Elektroschrott und Elektrogeräten bringen. Eine ordnungsgemäße Entsorgung und Recycling helfen, negative Auswirkungen auf die Gesundheit von Umwelt und Menschen zu vermeiden. Wenden Sie sich bitte an den Installateur oder lokale Behörden, um Informationen zum Standort und den allgemeinen Geschäftsbedingungen solcher Sammelstellen zu erhalten.

Hergestellt für: Xiaomi Communications Co., Ltd.  
Weitere Informationen finden Sie auf [www.mi.com](http://www.mi.com).

Hersteller: Zhejiang Xingyue Electric Equipment Co., Ltd. (ein Unternehmen von Mi Ecosystem)  
Adresse: South Side, 24th Floor, Jinpin Building, Headquarters Center, Yongkang City, Zhejiang Province, China

V1.0

# Norme di sicurezza

Leggere attentamente il presente manuale prima dell'uso del dispositivo e conservarlo per ogni riferimento futuro.

## Avvertenze

**L'uso improprio può provocare scosse elettriche, incendi, lesioni personali o altri danni.**

- ⊗ L'apparecchio può essere utilizzato da bambini di che abbiano un'età dagli 8 anni in poi e da persone con capacità mentali, fisiche o sensoriali ridotte oppure da persone prive di esperienza o conoscenza dell'apparecchio, purché siano sorvegliate o siano stati istruiti sull'uso sicuro dell'apparecchio e comprendano i rischi che ne possono derivare. Non consentire ai bambini di giocare con l'apparecchio. Le operazioni di pulizia e manutenzione non devono essere effettuate da bambini, a meno che non siano sorvegliati. (Per le nazioni o le regioni europee)
- ⊗ Il presente apparecchio non è destinato all'utilizzo da parte di persone (inclusi bambini) con capacità fisiche, sensoriali o mentali ridotte, oppure carenti di esperienza e conoscenza, a meno che non vi siano il controllo e le indicazioni riguardo l'utilizzo dell'apparecchio da parte di una persona responsabile della loro incolumità. Per assicurarsi che bambini non giochino con l'apparecchio è necessario vigilarli. (Per nessuna nazione o regione europea)
- ⊗ Per assicurarsi che bambini non giochino con l'apparecchio è necessario vigilarli.
- ⊗ La batteria non è sostituibile.
- ⊗ L'apparecchio deve essere utilizzato esclusivamente con l'alimentatore fornito con l'apparecchio.
- ⊗ Non utilizzare questo ventilatore in luoghi in cui è facile cadere o dove ci sono altri oggetti instabili nelle vicinanze.
- ⊗ Non utilizzare questo ventilatore in ambienti caldi e umidi come un bagno.
- ⊗ Non utilizzare questo ventilatore se il suo cavo di alimentazione è danneggiato o la sua spina è allentata.
- ⊗ Non utilizzare questo ventilatore se la griglia anteriore non è installata o se la griglia posteriore è allentata o caduta.
- ⊗ Non consentire agli adulti incapaci di utilizzare questo ventilatore o ai bambini di usarlo.
- ⊗ Non smontare o riparare questo ventilatore.
- ⊗ Non tirare eccessivamente, torcere o piegare il cavo di alimentazione, in quanto ciò potrebbe esporre o rompere il nucleo del cavo.
- ⊗ Non inserire le dita o alcun oggetto nella griglia anteriore, nella griglia posteriore o nelle pale del ventilatore quando il ventilatore è in funzione.
- ⊗ Tenere i capelli e i tessuti lontani dal ventilatore per evitare che si impiglino all'interno.
- ⊗ Non utilizzare prese di corrente non idonee.
- ⊗ Non utilizzare la base di ricarica fornita con questo ventilatore per nessun altro dispositivo.
- ⊗ Durante la manutenzione e la pulizia, smontare la base del ventilatore prima di rimuovere altre parti. Assicurarsi di installare la base della ventola per ultima quando si monta la ventola.
- ⊗ In condizioni d'uso normali, questa apparecchiatura deve essere tenuta a una distanza minima di 20 cm tra l'antenna e il corpo dell'utente.
- ⊗ Assicurarsi che il ventilatore sia spento dalla rete di alimentazione prima di rimuovere la protezione.

- ⊗ Se il cavo di alimentazione è danneggiato, deve essere sostituito dal costruttore, da un suo agente per assistenza clienti o da una persona analogamente qualificata al fine di evitare pericoli.
- ⊗ Non colpire, schiacciare e far cadere il prodotto o esporlo a pressione.
- ⊗ Tenere il prodotto lontano da acqua e fonti di calore.
- ⊗ Non utilizzare questo prodotto in ambienti con temperature e umidità estremamente elevate. Evitare il contatto con la luce diretta del sole.
- ⊗ Non rimuovere, smontare o distruggere la batteria.
- ⊗ Non ricaricare questo prodotto per un lungo periodo di tempo se non è in uso.
- ⊗ Questo prodotto contiene batterie non sostituibili.

## Precauzioni

### Installazione

---

- ⚠ Per evitare scosse elettriche, incendi, lesioni personali o altri danni, seguire scrupolosamente le fasi di installazione indicate nel manuale utente e assicurarsi che la base del ventilatore sia montata nell'ultimo passaggio.
- ⚠ Non collegare il ventilatore ad una presa di corrente o alla base di ricarica se non è completamente assemblato.
- ⚠ Spegnerlo o scollegare il ventilatore prima di installarlo o smontarlo. Non collegare la base di ricarica e non toccare i pulsanti per evitare che il ventilatore si metta in funzione e causi danni.

### Trasporto

---

- ⚠ Tenere saldamente il supporto del ventilatore per evitare che cada e causi lesioni personali.

### Utilizzo del ventilatore

---

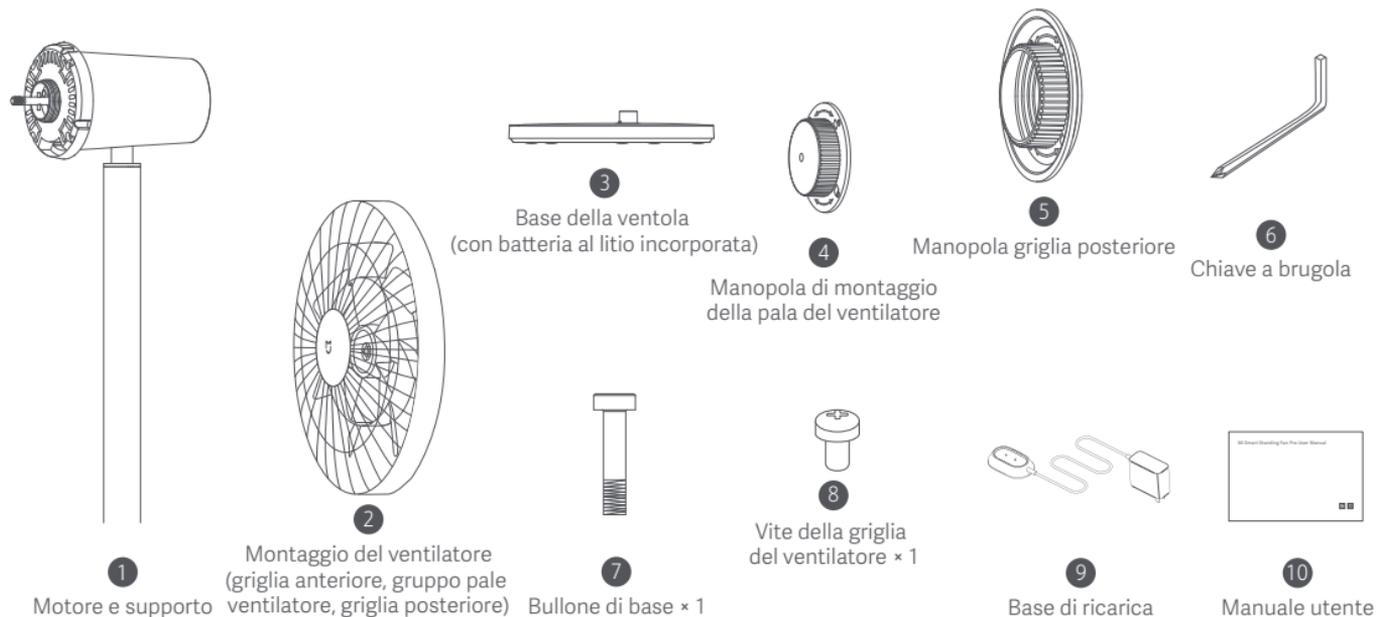
- ⚠ Interrompere immediatamente l'uso del ventilatore quando emette suoni insoliti, emette cattivi odori, si surriscalda o ruota irregolarmente.
- ⚠ Non appoggiarsi o inclinare il ventilatore mentre è in funzione.
- ⚠ Per evitare danni al meccanismo interno non spingere ripetutamente la calotta del ventilatore.

### Base di ricarica

---

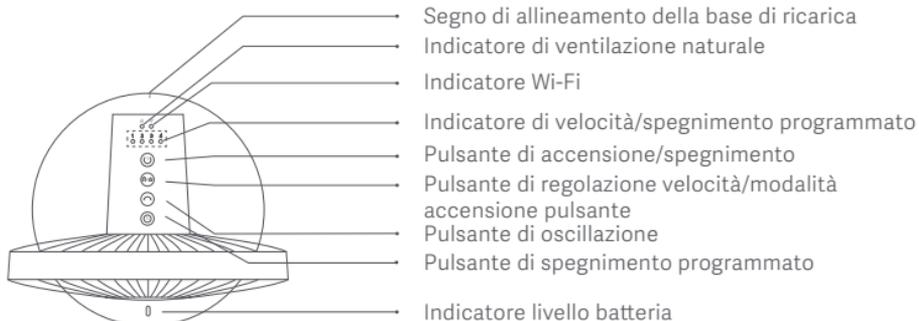
- ⚠ Per evitare di danneggiare la batteria, caricare immediatamente la batteria collegando la base di ricarica quando si è esaurita.
- ⚠ Non scollegare la base di ricarica tirando direttamente il cavo o muovendolo fuori dalla presa di corrente ma, estrarre la spina stessa.
- ⚠ Non tentare di riparare la base di ricarica da soli se è danneggiata.
- ⚠ Se la base di ricarica è danneggiata o rotta, deve essere sostituita da una base idonea acquistata dal produttore o dal servizio di assistenza post-vendita.

## Contenuto della confezione

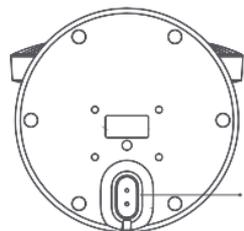


Nota: le illustrazioni del prodotto, degli accessori e dell'interfaccia utente nel manuale utente sono esclusivamente a scopo di riferimento. Il prodotto effettivo e le relative funzioni possono variare a causa dei miglioramenti apportati al prodotto stesso.

# Panoramica



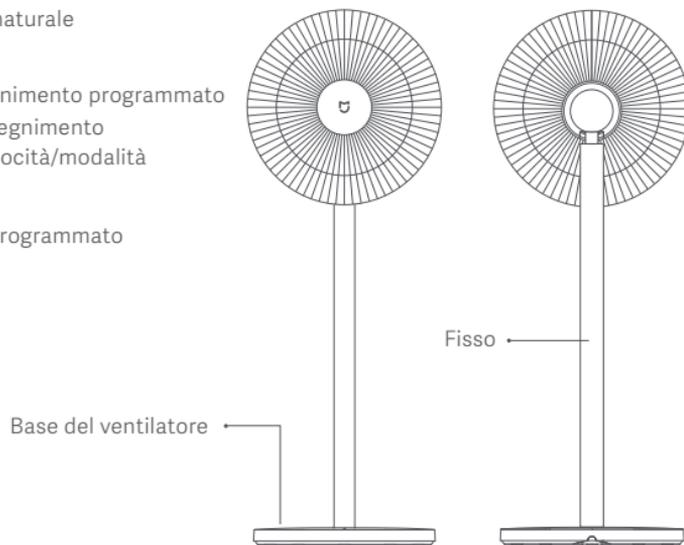
Vista dall'alto



Parte inferiore della base del ventilatore



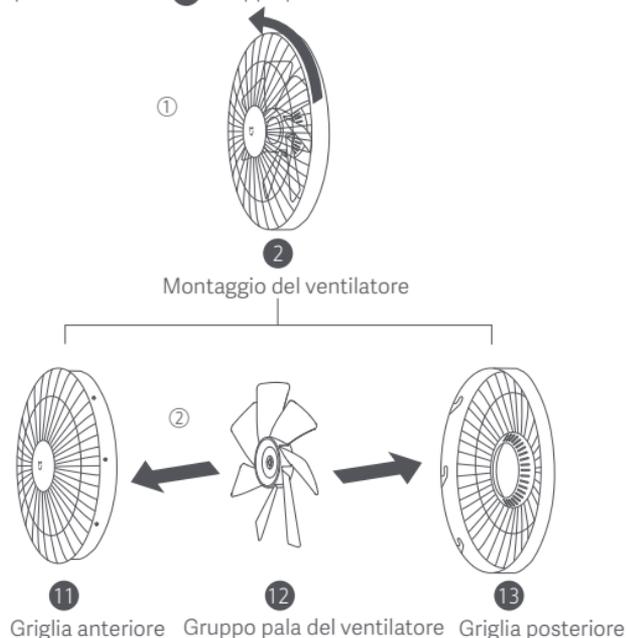
Base di ricarica



# Installazione

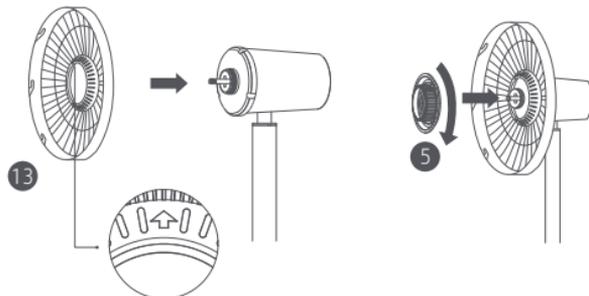
## Passaggio 1: aprire il montaggio del ventilatore

Ruotare la **11** Griglia anteriore in senso antiorario fino a quando non si separa dalla **13** Griglia posteriore, come mostrato in figura **1**.  
Rimuovere la griglia anteriore e posteriore come indicato nella figura **2**, quindi estrarre il **12** Gruppo pale del ventilatore.



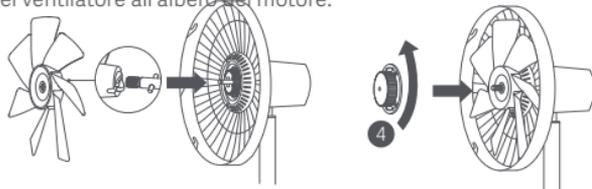
## Passaggio 2: installare la griglia posteriore

Installare **13** Griglia posteriore sull'albero del motore con la parte anteriore "↑" rivolta verso l'alto, quindi ruotare la **5** Manopola della griglia posteriore in senso orario per fissare saldamente la griglia posteriore all'albero.



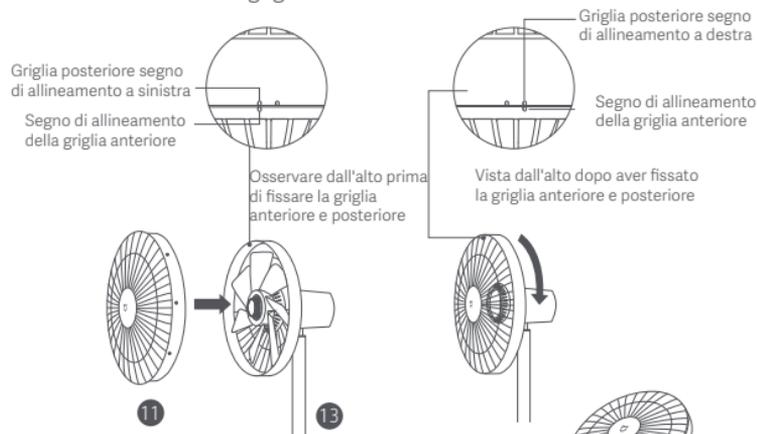
## Passaggio 3: installare la pala del ventilatore

Allineare il foro centrale del gruppo della pala del ventilatore con l'albero del motore e installarlo sull'albero, quindi installare la **4** Manopola di montaggio della pala del ventilatore sull'albero del motore. Ruotare la manopola in senso antiorario per fissare la pala del ventilatore all'albero del motore.



## Passaggio 4: installare la griglia anteriore

Allineare il segno di allineamento della **11** Griglia anteriore con la **13** Griglia posteriore segno di allineamento a sinistra e assicurarsi che la griglia anteriore sia correttamente inserita nella griglia posteriore. Ruotare la griglia anteriore in senso orario fino a quando il segno di allineamento della griglia anteriore si allinea con la griglia posteriore segno di allineamento a destra. Assicurarsi che le griglie siano fissate saldamente.

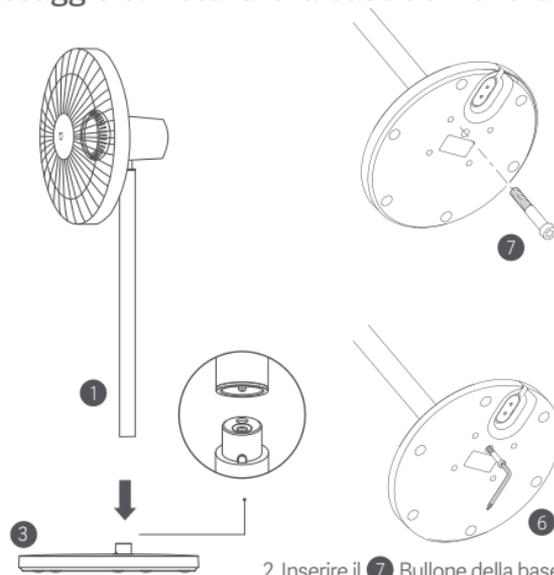


## Passaggio 5: fissare la griglia anteriore

Inserire la **8** Vite della griglia del ventilatore nel foro nella parte inferiore della griglia del ventilatore. Ruotare la vite in senso orario utilizzando la **6** Chiave a brugola inclusa per serrarla.



## Passaggio 6: installare la base del ventilatore



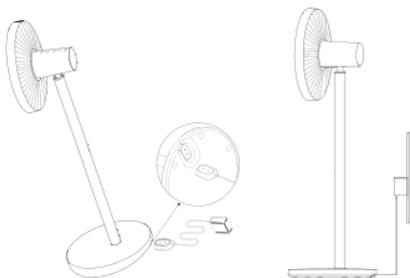
1. Installare il **1** Motore e il supporto sulla **3** Base del ventilatore, come illustrato.

2. Inserire il **7** Bullone della base nel foro sul fondo della base del ventilatore e serrarlo in senso orario con la **6** Chiave a brugola per completare l'installazione della base del ventilatore.

# Modalità d'utilizzo

## Carica in corso

- Si raccomanda di caricare completamente il ventilatore prima dell'uso.
- Collegare la base di ricarica alla porta di ricarica sul fondo della base del ventilatore, quindi collegare la base di ricarica.
- Quando l'indicatore del livello della batteria lampeggia, il ventilatore è stato collegato con successo alla base di ricarica.
- È possibile utilizzare questo ventilatore collegandolo ad una presa di corrente oppure no. La ventola è dotata di un modulo Wi-Fi integrato e il consumo di energia si verifica anche quando è spento. Caricare completamente la ventola, quindi spegnerla, la batteria può durare per circa 2 giorni. Per mantenere prestazioni ottimali della batteria, si consiglia di continuare a caricare la ventola se non viene utilizzata.



Collegare a una presa di corrente.

Stato del ventilatore	Livello della batteria	Indicatore livello batteria
Acceso/spento	≤30%	Arancione lampeggiante
	30-100%	Bianco lampeggiante
	100%	Spento

Non collegare a una presa di corrente.

Stato del ventilatore	Livello della batteria	Indicatore livello batteria
Acceso	30-100%	Bianco
	1-30%	Arancione
	0%	Spento (Il ventilatore si spegne automaticamente)
Spento	0-100%	Spento

## Accendi/Spegni

### Accensione

Premere il pulsante  per avviare il ventilatore. Alla prima accensione, la velocità predefinita è bassa (1) e la modalità è ventilazione diretta.

### Spegnimento

Premere il tasto  per arrestare la ventola mentre è in funzione.

## Modalità/Velocità di commutazione

### Velocità di commutazione

Premere il tasto  per regolare la velocità, e gli indicatori corrispondenti si accenderanno (vedi tabella sottostante). Dopo che il ventilatore è stato spento e riacceso, la velocità sarà l'ultima utilizzata.

Velocità	Lento (1)	Medio (2)	Veloce (3)	Turbo (4)
Indicatore	★●●●	★★●●	★★★●	★★★★

Nota: ★ indica che l'indicatore è acceso; ● indica che l'indicatore è spento.

## Cambio modalità

Premere e tenere premuto il tasto  per passare dalla ventilazione diretta alla ventilazione naturale. L'indicatore è spento mentre è in modalità ventilazione diretta ed è acceso mentre è in modalità ventilazione naturale. Dopo che il ventilatore è stato spento e riacceso, la modalità sarà l'ultima utilizzata.

## Abilita/Disabilita oscillazione

Premere il tasto  per attivare o disattivare l'oscillazione. Nella app è possibile impostare l'angolo di oscillazione. Dopo aver spento e riaperto il ventilatore, l'impostazione dell'oscillazione sarà l'ultima utilizzata.

Nota: quando la connessione Wi-Fi viene ripristinata, l'angolo di oscillazione passa all'angolo predefinito di 90°. Scollegare, quindi collegare la ventola o ripristinare la connessione Wi-Fi, quindi accendere la ventola. Oscillerà automaticamente il suo angolo se abilita la funzione di oscillazione. Il tempo di oscillazione varia a seconda delle diverse angolazioni, attendere con pazienza.

## Spegnimento programmato

Premere il pulsante  per scorrere i tempi di spegnimento ritardati: 1 ora, 2 ore, 3 ore, 4 ore e disabilitati e gli indicatori di stato corrispondenti saranno accesi (vedere la tabella seguente). Cinque secondi dopo aver usato la funzione di spegnimento ritardato, l'indicatore (i) di stato mostrerà lo stato corrispondente della velocità attualmente selezionata.

Pianificato	Disabilitato	1 ora	2 ore	3 ore	4 ore
Indicatore	●●●●	★●●●	★★●●	★★★●	★★★★

Nota: ★ indica che l'indicatore è acceso; ● indica che l'indicatore è spento.  
per ulteriori opzioni di spegnimento ritardato (fino a 8 ore), vai sulla app Mi Home/Xiaomi Home.

## Regolare la direzione del flusso d'aria

Sollevare o spingere delicatamente verso il basso la calotta del ventilatore o la griglia del ventilatore per regolare il flusso d'aria verso l'alto o verso il basso.



## Connect with the Mi Home App

Questo prodotto funziona con l'app Mi Home/Xiaomi Home\*. Controllo del dispositivo con l'app Mi Home/Xiaomi Home.

Eseguire la scansione del codice QR per scaricare e installare l'app. Se l'app è già installata, si verrà indirizzati alla pagina di configurazione della connessione. In alternativa, cercare l'app "Mi Home/Xiaomi Home" nell'App Store per scaricarla e installarla.

Aprire l'app Mi Home/Xiaomi Home, toccare il simbolo "+" nell'angolo in alto a destra e seguire le istruzioni fornite per aggiungere il dispositivo.

\* In Europa, eccetto che in Russia, l'app si chiama Xiaomi Home. Si consiglia di tenere per impostazione predefinita il nome dell'app visualizzato sul dispositivo.

Nota: poiché la versione dell'app potrebbe essere stata aggiornata, seguire le istruzioni della versione dell'app corrente.



## Connettiti a una rete Wi-Fi

Premere e tenere premuti contemporaneamente i pulsanti  e . Una volta emesso un segnale acustico, il ventilatore è in attesa di una connessione, quindi è possibile associarlo a un dispositivo tramite l'app.

Stato Wi-Fi e indicatore descrizione

Stato Wi-Fi	In attesa di connessione	Connessione in corso	Connesso	Impossibile connettere
Indicatore	Arancione lampeggiante	Blu lampeggiante	Blu	Arancione

## Ripristino la connessione Wi-Fi

Tenere premuti contemporaneamente i tasti  e . Una volta sentito un lungo segnale acustico, la connessione Wi-Fi è stata ripristinata con successo e il ventilatore è in attesa di una connessione. La connessione Wi-Fi deve essere resettata nelle circostanze elencate di seguito.

- Il Mi Account a cui è associato il ventilatore è stato modificato.
- Il router a cui è collegato ventilatore è stato modificato.
- L'account o la password del router a cui è collegato ventilatore è stato modificato.
- L'app Mi Home/Xiaomi Home non può controllare il ventilatore.

## Blocco di sicurezza per bambini

### Abilitare

È possibile abilitare la funzione di blocco bambini nella app Mi Home/Xiaomi Home. Una volta abilitato, il ventilatore non risponderà a nessun comando del pulsante, ma tutti gli indicatori e lampeggeranno due volte con due segnali acustici.

### Disabilitare

È possibile disattivare la funzione di blocco per bambini nella app Mi Home/Xiaomi Home. Anche il ripristino della connessione Wi-Fi può disattivare questa funzione.

## Cura e manutenzione

### Parti lavabili

Le parti elencate di seguito possono essere pulite con un panno morbido o una spugna con acqua o detergente neutro.



11

Griglia anteriore



12

Fan Gruppo pala del ventilatore



13

Griglia posteriore



5

Manopola griglia posteriore

⚠ Nota: Prima di pulire le parti, arrestare e scollegare la ventola. Quindi smontare prima la base della ventola. Quando si monta il ventilatore, assicurarsi che tutte le parti siano completamente asciutte e che la base del ventilatore sia installata per ultima. Evitare la luce diretta del sole.

### Parti non lavabili



4

Manopola di montaggio della pala del ventilatore



3

Base ventilatore



9

Base di ricarica



1

Motore e supporto

⚠ Nota: non risciacquare con acqua le parti sopra elencate.

Non usare diluente, benzina, detersivo o detersivo alcalino per pulire le parti.

## Risoluzione dei problemi

Guasto	Possibile causa	Soluzione
Il ventilatore non funziona	Il supporto non si collega correttamente alla base del ventilatore.	Installare correttamente la base del ventilatore con il supporto.
	Blocco bambini abilitato.	Disattivare la funzione di blocco bambini.
	La batteria è scarica.	Collegare la base di ricarica per utilizzarla come fonte di alimentazione.
Disabilitare per la connessione alla rete Wi-Fi	La connessione Wi-Fi è di 5 GHz.	Collegare a una connessione Wi-Fi a 2,4 GHz.
	Il ventilatore è offline per più di mezz'ora.	Ripristinare la connessione Wi-Fi.
Le pale del ventilatore sono bloccate	Le pale del ventilatore sono bloccate da un oggetto estraneo.	Scollegare il ventilatore e rimuovere l'oggetto estraneo.
L'indicatore del livello della batteria non si accende	La batteria entra nella modalità di protezione a riposo.	Collegare la base di ricarica per attivare la batteria.
La funzione di oscillazione non funziona.	La ventola si trova nello stato di auto-oscillazione.	Attendere il completamento dell'oscillazione automatica. Durerà al massimo 14 secondi.

## Specifiche tecniche

Nome	Mi Smart Standing Fan Pro	Tensione nominale	12 V $\overline{=}$	Tipo di batteriae	Batteria agli ioni di litio
Modello	ZLBPSP01XY	Potenza nominale	24 W	Capacità della batteria	2800 mAh
Tipo	Ventilatore a piantana	Emissione di rumore	≤55 dB(A)	Ingresso di ricarica	12 V $\overline{=}$ 2 A
Peso netto	3,2 kg	Dimensioni articolo	950 × 343 × 330 mm	Tensione di carica limitata	14 V $\overline{=}$
Connettività wireless	Wi-Fi IEEE 802,11b/g/n 2,4 GHz			Temperatura di esercizio	Da 0°C a 40°C
*Frequenza radio e potenza di trasmissione radio					
Specifiche Tecniche R		Frequenza di Funzionamento		Massima Potenza in Uscita	
2,4 G Wi-Fi		2412-2472 MHz		<20 dBm	

Nome dell'accessorio	Base di ricarica	Modello	BLJ24W120200P-V
Ingresso	100-240 V~ 50/60 Hz 0,6 A	Uscita	12,0 V=2,0 A
Lunghezza del cavo di alimentazione	1,6 m		

 **AVVERTENZA:** Allo scopo di ricaricare la batteria, utilizzare soltanto l'unità di alimentazione staccabile fornita con questo apparecchio.



Con la presente, Zhejiang Xingyue Electric Equipment Co., Ltd. dichiara che l'apparecchiatura radio di tipo ZLBSP01XY è conforme alla Direttiva 2014/53/UE. Il testo completo della dichiarazione di conformità UE è disponibile al seguente indirizzo Internet: <http://www.mi.com/global/service/support/declaration.html>



Tutti i prodotti contrassegnati da questo simbolo sono rifiuti di apparecchiature elettriche ed elettroniche (RAEE in base alla direttiva 2012/19/UE) che non devono essere smaltiti assieme a rifiuti domestici non differenziati. Al contrario, è necessario proteggere l'ambiente e la salute umana consegnando i rifiuti a un punto di raccolta autorizzato al riciclaggio di rifiuti di apparecchiature elettriche ed elettroniche, predisposto dalla pubblica amministrazione o dalle autorità locali. Lo smaltimento e il riciclaggio corretti aiutano a prevenire conseguenze potenzialmente negative all'ambiente e alla salute umana. Contattare l'installatore o le autorità locali per ulteriori informazioni sulla sede e per i termini e le condizioni di tali punti di raccolta.

Fabbricato per: Xiaomi Communications Co., Ltd.  
Per ulteriori informazioni, visitare il sito [www.mi.com](http://www.mi.com)

Fabbricato da: Zhejiang Xingyue Electric Equipment Co., Ltd. (un'azienda del Mi Ecosystem)  
Indirizzo: South Side, 24th Floor, Jinpin Building, Headquarters Center, Yongkang City, Zhejiang Province, Cina

V1.0

## تعليمات الأمان

اقرأ هذا الدليل بعناية قبل الاستخدام واحتفظ به للرجوع إليه مستقبلاً .

### تحذيرات

قد يقوم الاستخدام غير الصحيح إلى التعرض لصعقات كهربائية أو نشوب حريق أو التعرض لإصابة شخصية أو ضرر آخر .

- ⊗ لا تستخدم هذه المروحة في مكان يمكن سقوطها فيه بسهولة أو كان هناك أجسام غير ثابتة بالقرب منها .
- ⊗ لا تستخدم هذه المروحة في بيئات حارة ورطبة كالحمام مثلاً .
- ⊗ لا تستخدم هذه المروحة إذا كان سلك الطاقة تالفاً أو كان قابس الطاقة مرتخياً .
- ⊗ لا تستخدم هذه المروحة إذا كانت شبكتها الامامية غير مثبتة أو كانت الشبكة الخلفية مفكوكة أو متراخية .
- ⊗ لا تسمح للأطفال أو الكبار غير القادرين على تشغيل هذه المروحة باستخدام هذا المنتج
- ⊗ لا تحاول إصلاح أو فك هذه المروحة بنفسك .
- ⊗ لا تسحب أو تلف أو تنني سلك الطاقة بشكل مفرط، لأن ذلك قد يكشف الأجزاء الداخلية للسلك أو يكسرها .
- ⊗ لا تدخل أصابعك أو أي شيء في الشبكة الامامية أو الشبكة الخلفية أو وصلات المروحة عندما تكون المروحة في وضع الاستخدام .
- ⊗ حافظ على بقاء الشعر والأقمشة بعيداً عن المروحة لتفادي تشابكها مع المروحة وتعلق فيها .
- ⊗ لا تستخدم أي منفذ طاقة غير مناسب .
- ⊗ لا تستخدم قاعدة الشحن المرودة مع هذه المروحة لأي جهاز آخر .
- ⊗ عند صيانة أو تنظيف أو فك قاعدة المروحة قبل إزالة الأجزاء الأخرى، تأكد من تثبيت قاعدة المروحة في الخطوة الأخيرة عند تجميع المروحة .
- ⊗ أثناء الاستخدام العادي، يجب إبقاء هذا الجهاز على مسافة لا تقل عن 20 سم بين الهوائي وجسم المستخدم .
- ⊗ تأكد من أن المروحة مطفأة ومفصولة من التيار الكهربائي قبل إزالة الحماية .
- ⊗ هذا الجهاز مصمم للاستخدام فقط مع وحدة مزود الطاقة المتوفرة مع الجهاز .

- ⊗ يمكن للأطفال في سن 8 أعوام أو أكبر استخدام هذا الجهاز، وكذلك من يعانون من إعاقات جسدية أو حسية أو عقلية أو لديهم نقص في الخبرة والمعلومات، في حالة تقديم الإشراف أو التعليمات بخصوص استخدام الجهاز بطريقة آمنة وفهم المخاطر المتعلقة به. ينبغي ألا يعبت الأطفال بالجهاز. ينبغي ألا يتم التنظيف أو الصيانة بواسطة الأطفال بدون إشراف. (للدول أو المناطق الأوروبية .
- ⊗ هذا الجهاز غير مخصص للاستخدام بواسطة أطفال أو أشخاص يعانون من إعاقات جسدية أو حسية أو عقلية أو لديهم نقص في الخبرة والمعلومات إلا إذا خضعوا للإشراف أو تم تزويدهم بالإرشادات المتعلقة باستخدام الجهاز من قبل شخص مسؤول عن سلامتهم (يجب مراقبة الأطفال للتأكد من أنهم لا يعبتون بالجهاز). (للدول أو المناطق غير الأوروبية .
- ⊗ يجب مراقبة الأطفال للتأكد من أنهم لا يعبتون بالجهاز .
- ⊗ البطارية غير قابلة للاستبدال .

- ⊗ في حالة تلف سلك التيار الكهربائي يجب استبداله من قبل الجهة المصنعة أو وكيل الخدمة التابع لها أو أشخاص مؤهلين لتجنب المخاطر .
- ⊗ لا تضرب المنتج أو تسحقه أو تسقطه أو تعرضه للضغط .
- ⊗ أبعد المنتج عن مصادر المياه والحرارة .
- ⊗ لا تستخدم هذا المنتج في البيئات التي تكون فيها درجات الحرارة والرطوبة عالية للغاية. تجنب أشعة الشمس المباشرة .
- ⊗ لا تقم بإزالة أو تفكيك أو إتلاف البطارية .
- ⊗ لا تشحن هذا المنتج لفترة طويلة عندما لا يكون قيد الاستخدام .
- ⊗ يتضمن هذا الجهاز بطاريات غير قابلة للاستبدال .

#### النقل

- ⚠ احمل المروحة قائمة بئيات لتجنب إسقاطها على الأرض أو التسبب بإصابة شخصية .
- استخدام المروحة

- ⚠ توقف فورًا عن استخدام المروحة عند إصدار أصوات غير عادية، أو انبعاث رائحة كريهة أو حرارة زائدة، أو دوران المروحة بشكل غير منتظم .
- ⚠ ا تتكئ على المروحة أو تقم بإمالتها أثناء دورانها .
- ⚠ لا تقم بهز رأس المروحة بصورة متكررة وذلك لتجنب وقوع ضرر ل لأجزاء الميكانيكية الداخلية .
- قاعدة الشحن

- ⚠ لتجنب وقوع أي ضرر للبطارية، اشحن البطارية على الفور بتوصيل قاعدة الشحن عند نفاذ البطارية .

- ⚠ لا تقم بفصل قاعدة الشحن من التيار الكهربائي بسحب السلك أو لويه وسحبه للخارج من المنفذ. بدلاً من ذلك، قم بحسب القابس نفسه .

- ⚠ لا تحاول تصليح قاعدة الشحن أو إصلاحها بنفسك في حال تلفها .

- ⚠ في حال تلف قاعدة الشحن أو تعطلها، يجب استبدالها بواسطة بقاعدة معتمدة يتم شراؤها من الشركة المصنعة أو قسم خدمة ما بعد البيع .

## التدابير الوقائية

### التثبيت

- ⚠، لتجنب التعرض لصعقات كهربائية، أو إصابة شخصية، أو ضرر آخر يرجى اتباع تعليمات التثبيت بدقة تامة المنصوص عليها في دليل المستخدم، وتأكد من أن قاعدة المروحة مجمعة في الخطوة الأخيرة .
- ⚠ لا تقوم بتوصيل المروحة بمنفذ الطاقة أو قاعدة الشحن إذا لم تكن مجمعة بالكامل .
- ⚠ قم بإيقاف تشغيل المروحة وفصلها من التيار الكهربائي قبل تثبيتها أو تفكيكها. لا تقم بتوصيل قاعدة الشحن ولا لمس الأزرار لتجنب تشغيل المروحة والتسبب بخطر .

## محتويات العلبة



6

مفتاح آلين



5

مقبض الشبكة الخلفية



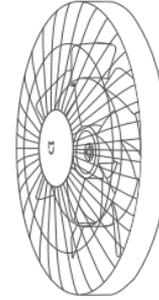
4

مقبض تجميع نضلة المروحة



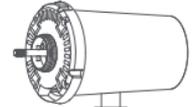
3

قاعدة المروحة (مع بطارية ليثيوم مدمجة)



2

تجميع المروحة  
الشبكة الأمامية، تجميع  
(نضلة المروحة، الشبكة الخلفية)



1

المحرك والحامل



10

دليل المستخدم



9

قاعدة الشحن



8

برغي شبكة المروحة \* 1

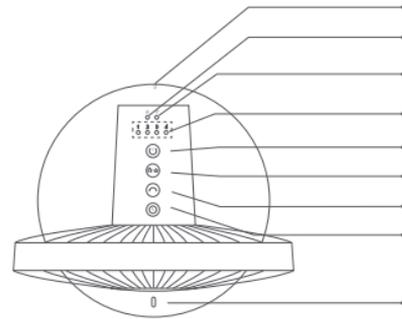
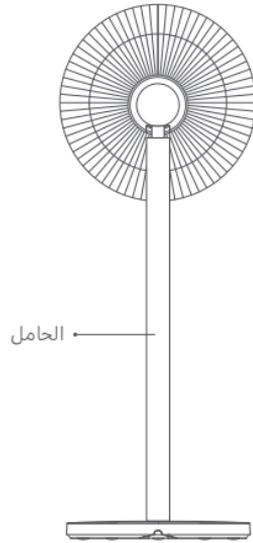
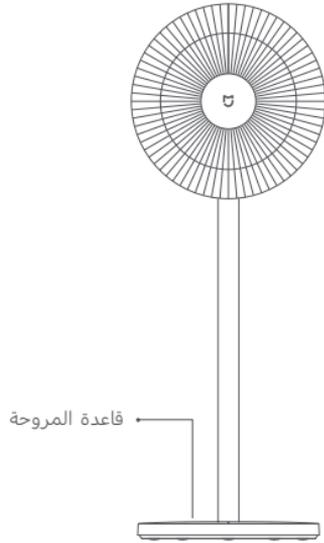


7

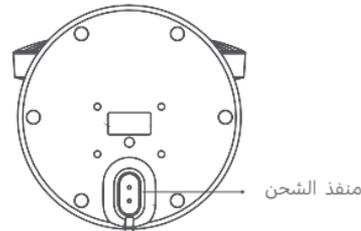
مسمار القاعدة \* 1

ملاحظة: الرسوم التوضيحية للمنتج والملحقات وواجهة المستخدم في دليل المستخدم يتم توفيرها كمرجع فقط. وقد يختلف المنتج والوظائف الفعلية بسبب إدخال تحسينات على المنتج.

## نظرة عامة حول المنتج



المنظر العلوي



الجانب السفلي لقاعدة المروحة



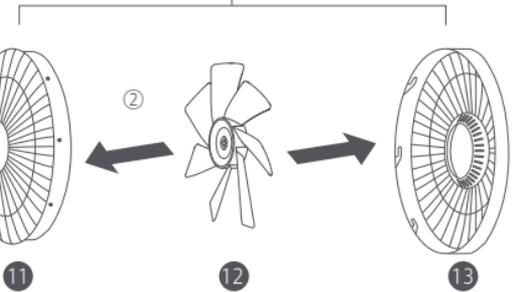
## التثبيت

### الخطوة 1: فتح تجميع المروحة

قم بتدوير 11 الشبكة الأمامية عكس اتجاه عقارب الساعة حتى تنفصل عن 13 الشبكة الخلفية، كما هو موضح في الشكل ① . قم بإزالة الشبكة الأمامية والخلفية كما هو مشار إليه في الشكل ② ، ثم أخرج ت 12 جميع نصلة المروحة .



تجميع المروحة



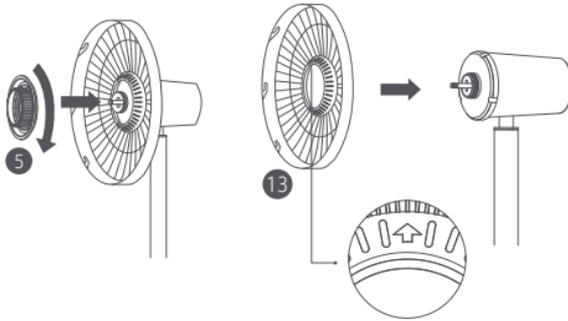
11 الشبكة الأمامية

12 تجميع نصلة المروحة

13 الشبكة الخلفية

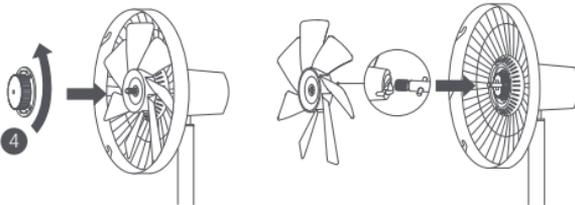
### الخطوة 2: تثبيت الشبكة الخلفية

ثبت على عمود المحرك بحيث يكون موجهاً لأعلى "↑"، ثم قم بتدوير 5 مقبض الشبكة الخلفية باتجاه عقارب الساعة لتثبيت 13 الشبكة الخلفية بإحكام مع العمود

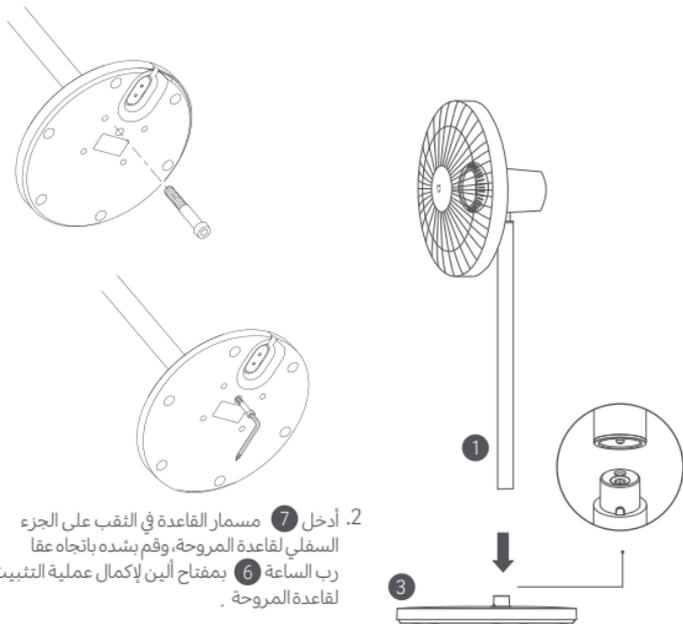


### الخطوة 3: تثبيت تجميع نصلة المروحة

قم بموازاة الثقب الأوسط لتجميع نصلة المروحة مع عمود المحرك وثبته على العمود، ثم ثبت 4 مقبض تجميع نصلة المروحة على عمود المحرك، قم بتدوير المقبض عكس اتجاه عقارب الساعة لتثبيت تجميع نصلة المروحة على عمود المحرك .



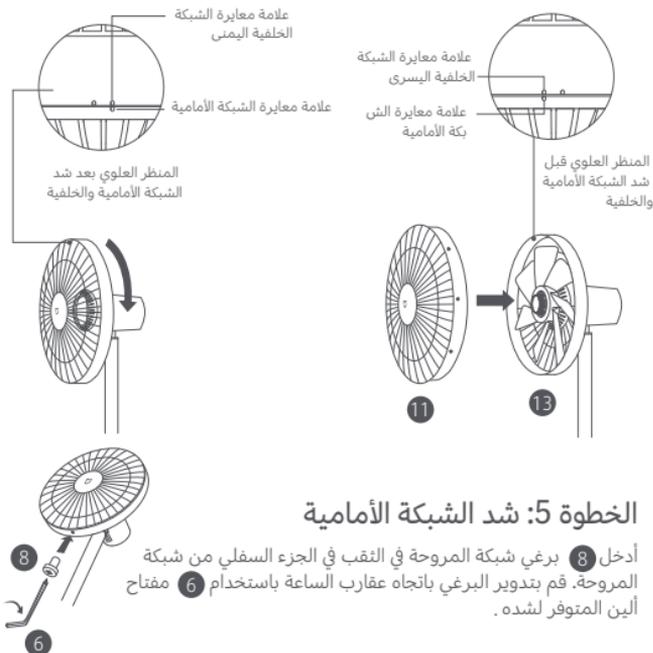
## الخطوة 6: تثبيت قاعدة المروحة



1. قم بتثبيت 1 المحرك والحامل على 3 قاعدة المروحة، كما هو موضح في الشكل .

## الخطوة 4: تثبيت الشبكة الأمامية

قم بموازاة 11 علامة معايرة الشبكة الأمامية 13 علامة المعايرة اليسرى للشبكة الخلفية، وتأكد من أن الشبكة الامامية مدمجة بصورة صحيحة في الشبكة الخلفية. قم بتدوير الشبكة الامامية باتجاه عقارب الساعة حتى تتوازي علامة معايرة الشبكة الامامية مع علامة معايرة الشبكة الخلفية. تأكد من أن الشبكات مشدودة ومثبتة بأمان



## الخطوة 5: شد الشبكة الأمامية

أدخل 8 برغي شبكة المروحة في الثقب في الجزء السفلي من شبكة المروحة. قم بتدوير البرغي باتجاه عقارب الساعة باستخدام 6 مفتاح ألين المتوفر لشده .

## الشحن

- يُستحسن شحّل المروحة بالكامل قبل الاستخدام .
- قم بتوصيل قاعدة الشحن مع منفذ الشحن على الجزء السفلي من قاعدة المروحة، ثم بم توصيله قاعدة الشحن بالتيار الكهربائي .
- عندما يكون مؤشر البطارية في حالة وميض، تكون المروحة متصلة مع قاعدة الشحن بنجاح .
- يمكنك استخدام هذه المروحة سواء كانت متصلة بمنفذ الطاقة أم لا .
- تم تجهيز المروحة بوحدة مدمجة، ويحدّد استهلاك الطاقة حتى عند إيقاف تشغيلها. اشحن المروحة بالكامل ثم أوقف تشغيلها، ويمكن أن تستمر البطارية لمدة يومين 2 تقريبًا. للحفاظ على الأداء الأمثل للبطارية، ينصح بمواصلة شحن المروحة إذا لم تكن قيد الاستخدام .

غير متصل بمنفذ الطاقة

مؤشر مستوى البطارية	مستوى البطارية	حالة المروحة
أبيض	30-100%	تشغيل
برتقالي	1-30%	
إيقاف (ستوقف المروحة عن العمل تلقائيًا)	0%	
إيقاف	0-100%	إيقاف

## التشغيل/إيقاف تشغيل

التشغيل

اضغط على الزر (⏻) لبدء تشغيل المروحة. عند التشغيل للمرة الأولى، تكون السرعة الافتراضية بطيئة (1) وكون النمط نسيم مباشر

إيقاف التشغيل

اضغط على الزر (⏻) لإيقاف المروحة عندما تكون في وضع التشغيل

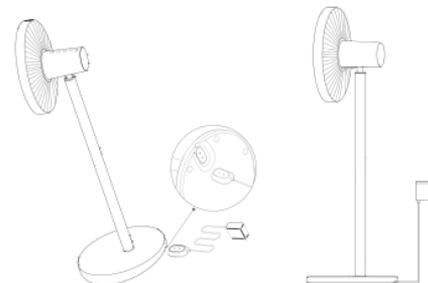
## تبديل السرعة/النمط

تبديل السرعة

اضغط على الزر (⏻) لتعديل السرعة، وستضيء المؤشرات المطابقة (انظر الجدول أدناه). بعد إيقاف تشغيل المروحة وتشغيلها مرة أخرى، ستكون السرعة هي السرعة المستخدم مؤخرًا .

السرعة	بطيئة (1)	متوسطة (2)	سريعة (3)	تيربو (4)
المؤشر	●●●●	●●●●	●●●●	●●●●

ملاحظة: ● تعني أن المؤشر يعمل؛ ● تعني أن المؤشر متوقف



متصل بمنفذ الطاقة

حالة المروحة	مستوى البطارية	مؤشر مستوى البطارية
تشغيل / إيقاف تشغيل	≤30%	وميض بالبرتقالي
	30-100%	وميض باللون الأبيض
	100%	إيقاف

## تبديل الوضع

اضغط واستمر بالضغط على الزر (١٥) للتبديل بين التسييم المباشر والتسييم الطبيعي. يكون المؤشر متوقفاً في نمط التسييم المباشر ويعمل عندما يكون في نمط التسييم الطبيعي. بعد إيقاف تشغيل المروحة وتشغيلها مرة أخرى، سيكون النمط هو النمط المستخدم مؤخراً.

## تمكين/ تعطيل التذبذب

اضغط على الزر (١٦) لتمكين أو تعطيل التذبذب. يمكنك ضبط نطاق زاوية التذبذب في التطبيق. بعد إيقاف تشغيل المروحة وتشغيلها مرة أخرى، ستكون إعدادات التذبذب هي الإعدادات المستخدمة مؤخراً.

ملحوظة: عند إعادة تعيين اتصال واي فاي، سينتغير نطاق زاوية التذبذب إلى الراوية الافتراضية 90°. ثم قم بتشغيل المروحة. سوف تتأرجح زاويتها ، Wi-Fi أفضل المروحة ثم قم بتوصيل المروحة أو أعد ضبط اتصال تلقائياً في حالة تمكين وظيفة التآرجح. يختلف وقت التآرجح اعتماداً على اختلاف الروايا. يرجى الانتظار بصبر .

## إيقاف التشغيل المجدول

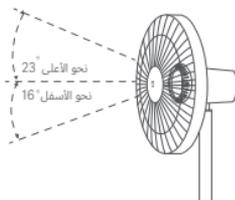
اضغط على الزر (١٧) للتنتقل بين أوقات إيقاف التشغيل المجدول: ساعة 1، 2 ساعة، 3 ساعات، 4 ساعات، وتعطيل، وسوف يضي المؤشر (المؤشرات) المطابقة (انظر الجدول أدناه). بعد خمس ثوان من استخدام وظيفة إيقاف التشغيل المجدول، يستأنف المؤشر (المؤشرات) في الإشارة إلى الحالة المطابقة للسرعة الحالية

مجدول	مُعطل	ساعة 1	ساعة 2	ساعة 3	ساعة 4
المؤشر	••••	*••••	•••••	•••••	•••••

ملاحظة: ● تعني أن المؤشر يعمل؛ \* تعمل أن المؤشر متوقف للمريد من خيارات إيقاف التشغيل المجدول (لغاية 8 ساعات)، يرجى الذهاب إلى تطبيق Mi Home/Xiaomi Home

## ضبط اتجاه تدفق الهواء

قم برفع رأس المروحة أو شبكة المروحة أو الضغط عليها لأسفل بلطف لضبط تدفق الهواء لأعلى أو لأسفل



## الاتصال بتطبيق Mi Home/Xiaomi Home

يعمل هذا المنتج مع تطبيق Mi Home/Xiaomi Home\*. تحكم في جهازك من خلال تطبيق Xiaomi Home /Mi Home



امسح كود QR ضوئياً لتنزيل التطبيق وتثبيته. سيتم توجيهك إلى صفحة إعداد الاتصال في حال كان التطبيق مثبتاً بالفعل. أو ابحث عن "Mi Home/Xiaomi Home" في متجر التطبيقات لتنزيله وتثبيته.



ملاحظة: ربما قد تم تحديث إصدار التطبيق، الرجاء اتباع التعليمات استناداً إلى إصدار التطبيق الحالي .

## الاتصال بشبكة Wi-Fi

اضغط في آن واحد على الأزرار (١٨) و (١٩) . عندما تسمع صوت صفرة طويلة، تكون المروحة بانتظار الاتصال، بعد ذلك يمكنك ربطها بجهاز عبر التطبيق

## العناية والصيانة

### الأجزاء القابلة للغسل

الأجزاء المدرجة أدناه يمكن تنظيفها بقطعة قماش ناعمة أو إسفنجية باستخدام الماء أو منظف محاديد



13

الشبكة الخلفية



12

تجميع نصلة المروحة



11

الشبكة الأمامية



5

مقبض الشبكة الخلفية

⚠ ملاحظة: قبل تنظيف الأجزاء، قم بإيقاف المروحة وفصلها من التيار الكهربائي، ثم قم بفك قاعدة المروحة أولاً. عند تجميع المروحة، تأكد من أن جميع الأجزاء جافة تماماً وأن قاعدة المروحة مثبتة في الخطوة الأخيرة. تجنب أشعة الشمس المباشر

### الأجزاء غير القابلة للغسل



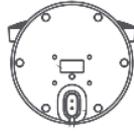
9

قاعدة الشحن



4

مقبض تجميع  
نصلة المروحة



3

قاعدة المروحة



1

المحرك والحامل

⚠ ملاحظة: لا تشطع الأجزاء المدرجة أعلاه بالماء

لا تستخدم التبر أو البترين أو مادة تنظيف أو منظف قلوي لتنظيف الأجزاء .

وصف حالة ومؤشر Wi-Fi

حالة شبكة Wi-Fi	بانتظار الاتصال	التوصيل	متصل	فشل الاتصال
المؤشر	يومض بالبرتقالي	يومض بالأزرق	أزرق	برتقالي

### إعادة ضبط شبكة Wi-Fi

اضغط في آن واحد على الأزرار (⏻) و (Ⓜ) . عندما تسمع صوت صفرة طويلة يكون تم إعادة ضبط Wi-Fi بنجاح وعندئذ تكون المروحة بانتظار اتصال. يحتاج اتصال Wi-Fi إلى إعادة الضبط في الحالات المدرجة أدناه .

- الذي تقترن بها المروحة Mi تغيير حساب
- تغيير الرواير الذي تتصل به المروحة
- تغيير الحساب أو كلمة المرور للراوتر الذي تتصل به المروحة
- عدم تمكن تطبيق Mi Home/Xiaomi Home من التحكم بالمروحة

### وظيفة القفل ضد عبث الأطفال

تمكين

يمكنك تمكين وظيفة القفل ضد عبث الأطفال في تطبيق Mi Home/Xiaomi Home عند تمكينها، لن تستجيب لمروحة لأي عمليات على الأزرار بل بدلاً من ذلك سوف تومض جميع المؤشرات مرتين مع إصدار صوت صغرتين

مُعطل

يمكنك تعطيل وظيفة القفل ضد عبث الأطفال في تطبيق Mi Home/Xiaomi Home إعادة ضبط اتصال Wi-Fi يمكنه أيضاً تعطيل هذه الوظيفة .

## استكشاف الأخطاء وإصلاحها

الحل	الأسباب المحتملة	الخطأ
ثبت قاعدة المروحة مع الحامل بصورة صحيحة	الحامل غير متصل بصورة صحيحة بقاعدة المروحة	المروحة لا تعمل
قم بتعطيل وظيفة القفل ضد عبث الأطفال	القفل ضد عبث الأطفال ممكن	
قم بتوصيل قاعدة الشحن لاستخدامها كمصدر للطاقة	البطارية فارغة	
اتصال بشبكة Wi-Fi 2.4 جيهاهرتز	اتصال Wi-Fi 5 جيهاهرتز	تعذر الاتصال بشبكة Wi-Fi
قم بإعادة ضبط اتصال شبكة Wi-Fi	المروحة غير متصلة لأكثر من نصف ساعة	
قم بفصل المروحة من التيار الكهربائي وإزالة الجسم الغريب	نصلات المروحة عالقة بجسم غريب	نصلات المروحة عالقة
قم بتوصيل قاعدة الشحن لتنشيط البطارية	البطارية تدخل في حماية السكون	مؤشر مستوى البطارية لا يضيء
انتظر اكتمال التآرجح التلقائي. سوف تدوم لمدة 14 ثانية على الأغلب	المروحة تحت حالة التآرجح التلقائي	وظيفة التآرجح لا تعمل

## المواصفات

الاسم	مروحة عمودية ذكية بروم Mi	الجهد المقدر	12 فولت ∴	نوع البطارية	بطارية ليثيوم أيون
الطراز	ZLBSP01XY	الطاقة المقدرة	24 واط	سعة بطارية	2800 ميلي أمبير ساعة
النوع	مروحة عمودية	ثبعث الضوضاء	≥ 55 ديسيبل (أمبير)	مدخل الشحن	12 فولت ∴ 2 أمبير
الوزن الصافي	3.2 كلغم	أبعاد المنتج	330 × 343 × 950 ملم	جهد الشحن المحدود	14 فولت ∴
الاتصال اللاسلكي	Wi-Fi IEEE 802.11b/g/n 2.4 GHz			درجة حرارة التشغيل	0 إلى 40 درجة مئوية
التردد اللاسلكي وطاقة الإرسال اللاسلكي *					
مواصفات الترددات اللاسلكية		تردد التشغيل		الحد الأقصى لطاقة الخرج	
Wi-Fi جيجا 2.4		2412-2472 كيلوهرتز		> 20 ديسيبل ملي واط	

BLJ24W120200P-V	الطراز	قاعدة الشحن	اسم الملحقات
12.0 فولت --- 2.0 أمبير	الإخراج	100 فولت - 240 فولت ~ 50/60 هرتز 0.6 أمبير	الإدخال
		1.6 م	طول سلك الطاقة

⚠ تحذير: لأغراض شحن البطارية، استخدم فقط وحدة الإمداد القابلة للفصل المتوفرة مع هذا الجهاز.

# WARRANTY NOTICE

---

THIS WARRANTY GIVES YOU SPECIFIC RIGHTS, AND YOU MAY HAVE OTHER RIGHTS CONVEYED BY LAWS OF YOUR COUNTRY, PROVINCE OR STATE. INDEED, IN SOME COUNTRIES, PROVINCES OR STATES, CONSUMER LAW MAY IMPOSE A MINIMUM WARRANTY PERIOD. OTHER THAN AS PERMITTED BY LAW, XIAOMI DOES NOT EXCLUDE, LIMIT OR SUSPEND OTHER RIGHTS YOU MAY HAVE. FOR A FULL UNDERSTANDING OF YOUR RIGHTS WE INVITE YOU TO CONSULT THE LAWS OF YOUR COUNTRY, PROVINCE OR STATE.

## 1. LIMITED PRODUCT WARRANTY

XIAOMI warrants that the Products are free from defects in materials and workmanship under normal use and use in accordance with the respective Product user manual, during the Warranty Period.

The duration and conditions related to the legal warranties are provided by respective local laws. For more information about the consumer warranty benefits, please refer to Xiaomi's official website <https://www.mi.com/en/service/warranty/>.

Xiaomi warrants to the original purchaser that its Xiaomi Product will be free from defects in materials and workmanship under normal use in the period mentioned above.

Xiaomi does not guarantee that the operation of the Product will be uninterrupted or error free.

Xiaomi is not liable for damages arising from non-compliance with the instructions related to the use of the Product.

## 2. REMEDIES

If a hardware defect is found and a valid claim is received by Xiaomi within the Warranty Period, Xiaomi will either (1) repair the product at no charge, (2) replace the product, or (3) refund the Product, excluding potential shipping costs.

## 3. HOW TO OBTAIN WARRANTY SERVICE

To obtain warranty service, you must deliver the Product, in its original packaging or similar packaging providing an equal degree of Product protection, to the address specified by Xiaomi. Except to the extent prohibited by applicable law, Xiaomi may require you to present proofs or proof of purchase and / or comply with registration requirements before receiving warranty service.

## 4. EXCLUSIONS AND LIMITATIONS

Unless otherwise stipulated by Xiaomi, this Limited Warranty applies only to the Product manufactured by or for Xiaomi and identifiable by the trademarks, trade name or "Xiaomi" or "Mi" logo.

The Limited Warranty does not apply to any (a) Damage due to acts of nature or God, for example, lightning strikes, tornadoes, flood, fire, earthquake or other external causes; (b) Negligence; (c) Commercial use; (d) Alterations or modifications to any part of the Product; (e) Damage caused by use with non-Xiaomi products; (f) Damage caused by accident, abuse or misuse; (g) Damage caused by operating the Product outside the permitted or intended uses described by Xiaomi or with improper voltage or power supply; or (h) Damage caused by service (including upgrades and expansions) performed by anyone who is not a representative of Xiaomi.

It is your responsibility to backup any data, software, or other materials you may have stored or preserved on the product. It is likely that the data, software or other materials in the equipment will be lost or reformatted during the service process, Xiaomi is not responsible for such damage or loss. No Xiaomi reseller, agent, or employee is authorized to make any modification, extension, or addition to this Limited Warranty. If any term is held to be illegal or unenforceable, the legality or enforceability of the remaining terms shall not be affected or impaired. Except as prohibited by laws or otherwise promised by Xiaomi, the after-sales services shall be limited to the country or region of the original purchase. Products which were not duly imported and/or were not duly manufactured by Xiaomi and/or were not duly acquired from Xiaomi or a Xiaomi's official seller are not covered by the present warranties. As per applicable law you may benefit from warranties from the non-official retailer who sold the product. Therefore, Xiaomi invites you to contact the retailer from whom you purchased the product. The present warranties do not apply in Hong Kong and Taiwan.

## **5. IMPLIED WARRANTIES**

Except to the extent prohibited by applicable law, all implied warranties (including warranties of merchantability and fitness for a particular purpose) will have a limited duration up to a maximum duration of this limited warranty. Some jurisdictions do not allow limitations on the duration of an implied warranty, so the above limitation will not be applied in these cases.

## **6. DAMAGE LIMITATION**

Except to the extent prohibited by applicable law, Xiaomi shall not be liable for any damages caused by accidents, indirect, special or consequential damages, including but not limited to loss of profits, revenue or data, damages resulting from any breach of express or implied warranty or condition, or under any other legal theory, even if Xiaomi has been informed of the possibility of such damages. Some jurisdictions do not allow the exclusion or limitation of special, indirect, or consequential damages, so the above limitation or exclusion may not apply to you.

## **7. XIAOMI CONTACTS**

For customers, please visit the website: <https://www.mi.com/en/service/warranty/>

The contact person for the after-sale service may be any person in Xiaomi's authorized service network, Xiaomi's authorized distributors or the final vendor who sold the products to you. If in doubt please contact the relevant person as Xiaomi may identify.

# AVISO DE GARANTÍA

---

ESTA GARANTÍA LE OTORGA DERECHOS ESPECÍFICOS Y PUEDE QUE YA TENGA OTROS DERECHOS QUE VENGAN REFLEJADOS EN LAS LEYES DE SU PAÍS, PROVINCIA O ESTADO. DE HECHO, EN ALGUNOS PAÍSES, PROVINCIAS O ESTADOS, LAS LEYES DEL CONSUMIDOR PUEDEN IMPONER UN PERIODO MÍNIMO DE GARANTÍA. EXCEPTO LO PERMITIDO POR LA LEY, XIAOMI NO EXCLUYE, LIMITA NI SUSPENDE OTROS DERECHOS QUE USTED PUEDA TENER. PARA COMPRENDER DEL TODO SUS DERECHOS, LE RECOMENDAMOS QUE CONSULTE LAS LEYES DE SU PAÍS, PROVINCIA O ESTADO.

## 1. GARANTÍA LIMITADA DEL PRODUCTO

XIAOMI garantiza que los productos no tienen ningún defecto material ni de mano de obra cuando lo use de forma normal de acuerdo al manual de usuario del producto correspondiente durante el periodo de garantía.

La duración y las condiciones relativas a las garantías legales se contemplan en la legislación local respectiva. Para más información acerca de los beneficios de las garantías para el consumidor, diríjase a la página web oficial de Xiaomi <https://www.mi.com/en/service/warranty/>.

Xiaomi garantiza al comprador original que su Producto Xiaomi no tendrá ningún defecto material ni de mano de obra cuando lo use de forma normal durante el periodo de tiempo antes mencionado.

Xiaomi no garantiza que el uso del Producto sea ininterrumpido ni esté libre de errores.

Xiaomi no se hace responsable de los daños que surjan del incumplimiento de las instrucciones relacionadas con el uso del producto.

## 2. MEDIDAS COMPENSATORIAS

Si se encuentra un defecto de hardware y Xiaomi recibe una reclamación válida dentro del Periodo de garantía, Xiaomi (1) reparará el producto sin cargos, (2) reemplazará el producto o (3) lo restituirá, excluyendo los posibles gastos de envío.

## 3. CÓMO OBTENER EL SERVICIO DE GARANTÍA

Para obtener el servicio de garantía, usted debe enviar el producto, o bien en su paquete original o bien con un paquete similar que ofrezca el mismo nivel de protección, a la dirección que especifique Xiaomi. Excepto en la medida que lo prohíba la ley aplicable, Xiaomi podrá pedirle que presente pruebas o un comprobante de compra y/o que cumpla con los requisitos de inscripción antes de que usted reciba el servicio de garantía.

## 4. EXCEPCIONES Y LIMITACIONES

A menos que Xiaomi estipule lo contrario, esta Garantía limitada se aplica solo al Producto fabricado por o para Xiaomi e identificable por la marca registrada, el nombre comercial o el logotipo "Xiaomi" o "Mi".

La Garantía limitada no es aplicable a ningún (a) daño provocado por desastres naturales, por ejemplo, rayos, tornados, inundaciones, incendios, terremotos u otras causas externas; (b) negligencia; (c) uso comercial; (d) alteraciones o modificaciones a cualquier parte del Producto; (e) daños provocados por el uso con productos que no son de Xiaomi; (f) daños provocados por accidentes, abusos o malos usos; (g) daños provocados por utilizar el Producto fuera de los usos permitidos o previstos descritos por Xiaomi, o con una tensión o fuente de alimentación incorrecta; o (h) daños provocados por el servicio (incluidas las actualizaciones y expansiones) realizado por cualquiera que no sea representante de Xiaomi.

Es responsabilidad suya hacer una copia de seguridad de cualquier información, software u otros materiales que haya almacenado o conservado sobre el producto. Es probable que los datos, software u otros materiales del equipo se pierdan o se reformateen durante el proceso del servicio. Xiaomi no se hace responsable de dichos daños o pérdidas.

Ningún revendedor, representante ni empleado de Xiaomi está autorizado a realizar modificaciones, extensiones ni adiciones a esta Garantía limitada. Si cualquier término se considera ilegal o inaplicable, la legalidad o la aplicabilidad de los términos restantes no se verán afectados ni perjudicados.

Excepto cuando la ley lo prohíba o cuando Xiaomi prometa lo contrario, el servicio posventa quedará limitado al país o región de compra original.

Los productos que no se importaron debidamente y/o que Xiaomi no fabricó debidamente y/o no fueron adquiridos a Xiaomi o a un vendedor oficial de Xiaomi no están cubiertos por las presentes garantías. De acuerdo con la ley aplicable, usted puede beneficiarse de las garantías del minorista no oficial que vendió el producto. Por lo tanto, Xiaomi le invita a que se ponga en contacto con el minorista al que compró el producto.

Las presentes garantías no se aplican en Hong Kong y Taiwan.

## **5. GARANTÍAS IMPLÍCITAS**

Excepto en la medida que lo prohíba la ley aplicable, todas las garantías implícitas (incluidas las garantías de comercialización y adecuación para un fin determinado) estarán limitadas a una duración máxima de hasta la duración límite de esta garantía limitada. Algunas jurisdicciones no permiten las limitaciones en la duración de una garantía implícita, por lo que no se aplicará la limitación anterior en estos casos.

## **6. LIMITACIÓN DE DAÑOS**

Excepto en la medida que lo prohíba la ley aplicable, Xiaomi no será responsable de ningún daño accidental, indirecto, especial o consecuente, incluyendo, entre otros, la pérdida de beneficios, ingresos o datos provocada por cualquier incumplimiento de la garantía expresa o implícita, o condición; o bajo cualquier otra teoría legal, incluso cuando se ha informado a Xiaomi de la posibilidad de dichos daños. Algunas jurisdicciones no permiten las excepciones ni las limitaciones de daños especiales, indirectos ni consecuentes, por lo que la limitación o exclusión anterior no se aplicará.

## **7. CONTACTOS DE XIAOMI**

Para clientes, visiten la página web <https://www.mi.com/en/service/warranty/>

La persona de contacto del servicio posventa puede ser cualquier persona de la red de servicio autorizado de Xiaomi, los distribuidores autorizados de Xiaomi o el vendedor final que vendió los productos. Si tiene alguna duda, póngase en contacto con la persona correspondiente que pueda identificar Xiaomi.

# ГАРАНТИЙНОЕ УВЕДОМЛЕНИЕ

---

НАСТОЯЩАЯ ГАРАНТИЯ ДАЕТ ВАМ ОПРЕДЕЛЕННЫЕ ПРАВА, А В ЗАВИСИМОСТИ ОТ ЗАКОНОДАТЕЛЬСТВА ВАШЕЙ СТРАНЫ, ПРОВИНЦИИ ИЛИ ШТАТА ОНИ МОГУТ БЫТЬ БОЛЕЕ ШИРОКИМИ. В НЕКОТОРЫХ СТРАНАХ, ПРОВИНЦИЯХ И ШТАТАХ ЗАКОНОМ О ЗАЩИТЕ ПРАВ ПОТРЕБИТЕЛЕЙ ПРЕДУСМОТРЕН МИНИМАЛЬНЫЙ ГАРАНТИЙНЫЙ СРОК. КОМПАНИЯ ХАОМІ НЕ ИСКЛЮЧАЕТ, НЕ ОГРАНИЧИВАЕТ И НЕ ПРИОСТАНАВЛИВАЕТ ОСУЩЕСТВЛЕНИЕ ДРУГИХ ВАШИХ ЗАКОННЫХ ПРАВ. РЕКОМЕНДУЕМ ОЗНАКОМИТЬСЯ С ЗАКОНАМИ ВАШЕЙ СТРАНЫ, ПРОВИНЦИИ ИЛИ ШТАТА ДЛЯ ПОЛНОГО ПОНИМАНИЯ СВОИХ ПРАВ.

## 1. ОГРАНИЧЕННАЯ ГАРАНТИЯ НА ПРОДУКТ

Компания Xiaomi гарантирует, что материалы и качество продуктов исключают возникновение дефектов при условии их нормального использования в соответствии с руководством по эксплуатации в течение гарантийного срока.

Продолжительность и условия правовых гарантий представлены в соответствующих местных законах. Дополнительные сведения о преимуществах гарантий для потребителей см. на официальном веб-сайте Xiaomi <https://www.mi.com/en/service/warranty/>.

Компания Xiaomi гарантирует первоначальному покупателю, что материалы и качество ее продуктов исключают возникновение дефектов при условии их нормального использования в течение вышеуказанного периода.

Xiaomi не гарантирует, что работа продукта будет бесперебойной или безошибочной.

Xiaomi не несет ответственности за убытки, понесенные в результате несоблюдения инструкций по использованию продукта.

## 2. СРЕДСТВА ПРАВОВОЙ ЗАЩИТЫ

Если обнаружен дефект оборудования и компания Xiaomi получила обоснованную претензию в течение гарантийного периода, Xiaomi обязуется (1) выполнить ремонт продукта бесплатно, (2) заменить изделие или (3) возместить стоимость продукта, исключая возможные расходы по доставке.

## 3. КАК ПОЛУЧИТЬ ГАРАНТИЙНОЕ ОБСЛУЖИВАНИЕ

Чтобы получить гарантийное обслуживание, вы должны доставить продукт в оригинальной или аналогичной упаковке, обеспечить равноценную степень защиты продукта, по адресу, указанному Xiaomi. Компания Xiaomi вправе потребовать предоставить доказательства или доказательство покупки и/или выполнить требования регистрации перед получением гарантийного обслуживания, если иное не предусмотрено законодательством.

## 4. ИСКЛЮЧЕНИЯ И ОГРАНИЧЕНИЯ

Эта ограниченная гарантия распространяется только на продукт, изготовленный компанией Xiaomi или для нее и содержащий ее товарные знаки, торговое наименование или логотип «Xiaomi» либо «Mi», если иное не предусмотрено компанией Xiaomi.

Ограниченная гарантия не распространяется на (а) повреждения в результате стихийных бедствий, например удара молнии, смерча, наводнения, пожара, землетрясения или других экзогенных факторов; (б) следствия халатности; (в) коммерческое использование; (г) внесенные изменения или модификации любой части продукта; (д) повреждения, вызванные использованием продуктов других производителей; (е) повреждения в результате несчастного случая, злоупотребления или неправильного использования; (ж) повреждения, вызванные применением продукта за пределами

разрешенного или допускаемого использования, описанного Xiaomi, а также в результате несоответствующего напряжения или питания; (з) повреждения из-за обслуживания (включая обновления и расширения) лицом, не являющимся представителем компании Xiaomi.

Создание резервной копии данных, программного обеспечения и других материалов, которые вы можете хранить на продукте, является вашей ответственностью. Компания Xiaomi не несет ответственности за потерю или переформатирование данных, программного обеспечения и других материалов, содержащихся в оборудовании, в процессе эксплуатации.

Ни один реселлер, агент или сотрудник компании Xiaomi не уполномочен вносить изменения или дополнения в настоящую гарантию. Если какое-либо условие окажется незаконным или юридически недействительным, законность или исполнимость остальных положений не должна быть затронута или нарушена.

Послепродажное обслуживание осуществляется в стране или регионе покупки, за исключением случаев, запрещенных законом, или если иное предусмотрено компанией Xiaomi.

Настоящая гарантия не покрывает продукты, которые не были должным образом импортированы, были изготовлены не компанией Xiaomi и/или приобретены не у Xiaomi либо ее официального представителя. Согласно действующему законодательству, вы можете рассчитывать на гарантии от официального дистрибьютора, который продал продукт. Поэтому компания Xiaomi предлагает обращаться к продавцу, у которого вы приобрели продукт.

Настоящая гарантия не распространяется на Гонконг и Тайвань.

## **5. ПОДРАЗУМЕВАЕМЫЕ ГАРАНТИИ**

За исключением случаев, запрещенных законодательством, подразумеваемые гарантии (включая гарантии товарного состояния и пригодности для конкретной цели) имеют ограниченный срок действия, который не может превышать срок действия настоящей ограниченной гарантии. В некоторых юрисдикциях не допускается ограничение срока действия подразумеваемой гарантии. В таких случаях указанное ограничение не применяется.

## **6. ОГРАНИЧЕНИЕ ПОВРЕЖДЕНИЯ**

За исключением случаев, запрещенных законодательством, компания Xiaomi не несет ответственности за повреждения в результате ДТП, косвенных, специальных или последующих повреждений, включая потерю прибыли, доходов или данных, убытки, возникшие в результате нарушения явных или подразумеваемых гарантий или условий, или по любой другой законной теории, даже если компания Xiaomi была предупреждена о возможности таких повреждений. В некоторых юрисдикциях не допускается исключение или ограничение ответственности за специальные, косвенные или последующие убытки. В таких случаях указанные выше ограничения не применяются.

## 7. КОНТАКТЫ КОМПАНИИ ХИАОМИ

Подробную информацию для клиентов см. на сайте <https://www.mi.com/en/service/warranty/>

Контактным лицом для послепродажного обслуживания может быть любое лицо из авторизованной сервисной сети Xiaomi, авторизованный дистрибьютор Xiaomi или продавец, у которого вы приобрели продукт. Если у вас возникли какие-либо вопросы, обратитесь к соответствующему лицу в компании Xiaomi.

# GARANTIE

---

CETTE GARANTIE VOUS DONNE DES DROITS SPÉCIFIQUES ET IL EST POSSIBLE DE PROFITER D'AUTRES DROITS OCTROYÉS PAR LES LOIS APPLICABLES DANS VOTRE PAYS, VOTRE RÉGION OU VOTRE DÉPARTEMENT. EN EFFET, DANS CERTAINS PAYS, PROVINCES OU DÉPARTEMENTS, LES DROITS DU CONSOMMATEUR PEUVENT IMPOSER UNE PÉRIODE DE GARANTIE MINIMALE. AUTRES QUE LES LIMITES PERMISES PAR LA LOI, XIAOMI N'EXCLUT PAS, LIMITE NI SUSPEND D'AUTRES DROITS QUE VOUS POUVEZ DÉTENIR. POUR COMPRENDRE PLEINEMENT VOS DROITS, CONSULTEZ LES LOIS APPLICABLES DANS VOTRE PAYS, PROVINCE OU DÉPARTEMENT.

## 1. GARANTIE LIMITÉE DE PRODUIT

XIAOMI garantit que les Produits sont exempts de tout défaut matériel ou de conception dans le cadre d'une utilisation normale en accord avec le mode d'emploi dudit Produit et dans la Durée de garantie.

La durée et les conditions relatives aux garanties légales sont prévues par les lois locales afférentes. Pour plus d'informations sur les avantages de la garantie du consommateur, veuillez consulter le site web officiel de Xiaomi <https://www.mi.com/en/service/warranty/>.

Xiaomi garantit à l'acheteur d'origine que le produit Xiaomi est exempt de tout défaut matériel ou de conception dans le cadre d'une utilisation normale dans la période mentionnée ci-dessus.

Xiaomi ne garantit pas que le fonctionnement du Produit restera ininterrompu et exempt d'erreur.

Xiaomi n'est pas responsable des dommages découlant d'une non-conformité aux instructions liées à l'utilisation du produit.

## 2. SOLUTIONS

Si un défaut matériel est rencontré et une réclamation fondée est reçue par Xiaomi pendant la période de garantie, Xiaomi va soit (1) réparer le produit gratuitement, (2) échanger le produit, ou (3) rembourser le produit, frais d'expédition exclus.

## 3. COMMENT PROFITER D'UN SERVICE DE GARANTIE

Pour bénéficier du service de garantie, vous devez fournir le Produit à l'adresse spécifiée par Xiaomi, dans son emballage d'origine ou dans un emballage similaire garantissant le même degré de protection. Sauf mesures prohibées par la loi applicable, Xiaomi peut vous demander de présenter des preuves d'achat et/ou de vous conformer aux exigences d'inscription avant de profiter du service de garantie.

## 4. EXCLUSIONS ET LIMITATIONS

Sauf stipulation contraire mentionnée par Xiaomi, la présente Garantie limitée s'applique uniquement au Produit fabriqué par ou pour Xiaomi et identifiable par les marques commerciales, le nom commercial ou le logo « Xiaomi » ou « Mi ».

La Garantie limitée ne s'applique pas (a) aux dégâts dus aux catastrophes naturelles, comme la foudre, les tornades, les inondations, les incendies, les tremblements de terre ou autres causes externes (b) aux négligences, (c) à l'utilisation commerciale, (d) aux modifications de tout ou partie du Produit, (e) aux dommages provoqués par une utilisation avec des Produits non-Xiaomi, (f) aux dommages provoqués par un accident, un abus, une mauvaise utilisation (g) aux dommages provoqués par l'utilisation du Produit hors des utilisations autorisées ou prévues décrites par Xiaomi ou avec une tension ou une alimentation électrique inappropriée, ou (h) aux dommages provoqués par une maintenance (mises à niveau ou extensions comprises) réalisée par une personne non représentative de Xiaomi.

Il en va de votre responsabilité de sauvegarder les données, le logiciel ou tout autre matériel que vous pourriez avoir stocké ou préservé sur le Produit. Il est probable que les données, le logiciel ou d'autres matériels de l'équipement soient perdus ou formatés lors d'une maintenance. Xiaomi n'est pas responsable de ce type de dommages ou de pertes.

Aucun revendeur, agent ou employé de Xiaomi n'est autorisé à apporter des modifications, des extensions ou des ajouts à la présente Garantie limitée. Si une disposition est jugée illégale ou inapplicable, la légitimité et l'applicabilité des dispositions restantes ne sauraient être affectées ou impactées.

Sauf mesures prohibées par la loi ou promesse contraire par Xiaomi, les services après-ventes sont limités au pays ou à la région de l'achat initial.

Les produits qui n'ont pas été dûment importés et/ou n'ont pas été dûment fabriqués par Xiaomi et/ou n'ont pas été dûment obtenus chez Xiaomi ou un vendeur officiel de Xiaomi ne sont pas couverts par les présentes garanties. Conformément à la loi applicable, vous pouvez bénéficier des garanties depuis le détaillant non officiel qui vous a vendu le produit. Pour cela, Xiaomi vous invite à contacter le détaillant auprès duquel vous avez acheté le produit.

Les présentes garanties ne s'appliquent pas à Hong Kong et à Taiwan.

## 5. GARANTIES IMPLICITES

Sauf mesures prohibées par la loi applicable, toutes les garanties implicites (notamment les garanties de commercialisation et de conformité pour un but spécifique) disposeront d'une durée de garantie limitée allant jusqu'à la durée maximale de la présente garantie limitée. Certaines juridictions n'autorisent pas les limitations de durée d'une garantie implicite. La limitation ci-dessus ne s'applique donc pas à de tels cas.

## 6. LIMITATION DES DOMMAGES

Sauf mesures prohibées par la loi applicable, Xiaomi ne devrait être tenue pour responsable pour tous dommages provoqués par des accidents, indirects, spécifiques ou consécutifs, notamment les pertes de bénéfices, de chiffre d'affaires ou de données, résultant de toute brèche dans une garantie ou condition expresse ou implicite, ou sous toute théorie légale, même si Xiaomi a été informée de la possibilité de tels dommages. Certaines juridictions n'autorisent pas l'exclusion ou la limitation des dommages indirects, spécifiques ou consécutifs. La limitation ci-dessus ne s'applique donc pas à vous.

## 7. CONTACTS XIAOMI

Pour les clients, consultez le site Web : <https://www.mi.com/en/service/warranty/>

La personne à contacter pour le service après-vente peut être n'importe quelle personne de service agréé Xiaomi, les distributeurs agréés Xiaomi ou le vendeur final qui vous a vendu le produit. En cas de doute, veuillez contacter la personne concernée que Xiaomi peut identifier.

# GARANTIEERKLÄRUNG

---

DIESE GARANTIE GIBT IHNEN BESTIMMTE RECHTE UND MÖGLICHERWEISE VERFÜGEN SIE AUFGRUND DER GESETZE IHRES LANDES, IHRER PROVINZ ODER IHRES BUNDESLANDES ÜBER WEITERE RECHTE. IN EINIGEN LÄNDERN, PROVINZEN ODER BUNDESLÄNDERN SCHREIBT DAS VERBRAUCHERRECHT EINE MINDESTGARANTIEZEIT VOR. XIAOMI SCHLIESST IHRE WEITEREN RECHTE NICHT AUS, SCHRÄNKT SIE NICHT EIN UND SETZT SIE NICHT AUS, SOFERN DIES NICHT GESETZLICH ZULÄSSIG IST. UMFASSENDE INFORMATIONEN ZU IHREN RECHTEN FINDEN SIE IN DEN GESETZEN IHRES LANDES, IHRER PROVINZ ODER IHRES BUNDESLANDES.

## 1. EINGESCHRÄNKTE PRODUKTGARANTIE

Xiaomi garantiert Ihnen, dass Ihr Xiaomi-Produkt während der Garantiezeit bei normalem Gebrauch frei und bei Gebrauch in Übereinstimmung mit den Anweisungen des betreffenden Benutzerhandbuchs frei von Material- und Verarbeitungsfehlern ist.

Die gesetzlichen Gewährleistungsfristen und -bestimmungen ergeben sich aus den jeweiligen lokalen Gesetzen. Weitere Informationen zu den Garantieleistungen für Verbraucher finden Sie auf der Website von Xiaomi unter <https://www.mi.com/en/service/warranty/>.

Xiaomi garantiert Ihnen als Erstkäufer, dass das Xiaomi-Produkt während des oben genannten Zeitraums bei normalem Gebrauch frei von Material- und Verarbeitungsfehlern ist.

Xiaomi garantiert nicht, dass das Produkt unterbrechungsfrei oder fehlerfrei funktioniert.

Xiaomi haftet nicht für Schäden, die aus der Nichteinhaltung der Anweisungen zur Verwendung des Produkts resultieren.

## 2. RECHTSMITTEL

Wenn ein Hardwarefehler festgestellt wird und Xiaomi eine gültige Reklamation innerhalb der Garantiezeit erhält, wird Xiaomi entweder (1) das Produkt unter Verwendung neuer oder überholter Ersatzteile kostenlos reparieren, (2) das Produkt ersetzen oder (3) den Kaufpreis des Produkts zurückerstatten, wobei mögliche Versandkosten ausgeschlossen werden.

## 3. NUTZUNG DES GARANTIESERVICES

Um Garantieleistungen in Anspruch nehmen zu können, müssen Sie das Produkt in der Originalverpackung oder einer ähnlichen Verpackung, die das Produkt im gleichen Maße schützt, an die von Xiaomi angegebene Adresse senden. Wenn dies nicht durch anwendbares Recht untersagt ist, kann Xiaomi vor der Erbringung von Garantieleistungen die Vorlage von Kaufnachweise(n) und / oder eine Registrierung von Ihnen verlangen.

## 4. AUSSCHLÜSSE UND EINSCHRÄNKUNGEN

Soweit nicht anders durch Xiaomi bestimmt, gilt diese eingeschränkte Garantie ausschließlich für das von oder für Xiaomi hergestellte Produkt, das durch das die Marken oder Handelsnamen oder das „Xiaomi“- bzw. „Mi“-Logo identifiziert werden kann.

Die Garantie beinhaltet keine (a) Schäden durch Naturereignisse oder höhere Gewalt, z. B. Blitzeinschläge, Tornados, Überschwemmungen, Feuer, Erdbeben oder andere äußere Ursachen; (b) Schäden durch Fahrlässigkeit; (c) Schäden durch kommerzielle Nutzung; (d) Schäden durch Änderungen oder Modifikationen an einem Teil des Produkts; (e) Schäden, die durch die gemeinsame Verwendung mit Produkten anderer Hersteller verursacht werden; (f) Schäden, die durch Unfall, Missbrauch oder Zweckentfremdung verursacht werden; (g) Schäden, die durch den Betrieb des Produkts im Widerspruch zur von Xiaomi beschriebenen zulässigen oder beabsichtigten Verwendung oder durch unzulässige Spannungs- oder Stromversorgung verursacht werden; (h) Schäden, die durch Serviceleistungen (einschließlich Upgrades und Erweiterungen) von Personen verursacht werden, die dafür nicht von Xiaomi autorisiert wurden. Es liegt in Ihrer Verantwortung, Daten, Software oder andere Materialien, die Sie auf dem Produkt gespeichert haben, zu sichern. Es ist wahrscheinlich, dass Daten, Software oder andere Materialien bei Inanspruchnahme des Garantieservices verloren gehen oder Geräte neu formatiert werden und Xiaomi übernimmt keine Haftung für solche Schäden oder Verluste.

Wiederverkäufer, Agenten oder Mitarbeiter von Xiaomi sind nicht berechtigt, Änderungen, Erweiterungen oder Ergänzungen hinsichtlich dieser eingeschränkten Garantie vorzunehmen. Sollte eine Bestimmung rechtswidrig oder nicht durchsetzbar sein, wird die Rechtmäßigkeit oder Durchsetzbarkeit der übrigen Bestimmungen davon nicht berührt oder beeinträchtigt.

Sofern dies nicht gesetzlich verboten oder anderweitig von Xiaomi versprochen wurde, ist der Kundendienst auf das Land oder die Region des ursprünglichen Kaufs beschränkt.

Produkte, die nicht ordnungsgemäß eingeführt wurden und/oder nicht ordnungsgemäß von Xiaomi hergestellt wurden und/oder nicht ordnungsgemäß von Xiaomi oder einem offiziellen Händler von Xiaomi erworben wurden, fallen nicht unter diese Garantie. Gemäß geltendem Recht können Garantieforderungen gegen Einzelhändler geltend gemacht werden, die das Produkt trotz Ermangelung gegenseitiger Vertriebsvereinbarungen in Umlauf gebracht haben. In solchen Fällen ermutigt Sie Xiaomi, den Händler zu kontaktieren, bei dem Sie das Produkt gekauft haben.

Diese Garantieerklärung ist nicht auf Hong Kong und Taiwan anwendbar.

## 5. STILLSCHWEIGENDE GARANTIE

Soweit durch geltendes Recht zulässig, sind alle stillschweigend begründeten Garantien (einschließlich der Garantie der Gebrauchstauglichkeit oder der Eignung für einen bestimmten Zweck) zeitlich beschränkt und gelten maximal für die Dauer dieser eingeschränkten Garantie. In einigen Ländern ist die Beschränkung der Dauer stillschweigender Garantien nicht zulässig, sodass die o. g. Beschränkung auf Sie nicht zutrifft, wenn Sie Verbraucher in einem dieser Länder sind.

## 6. SCHADENSBECHRÄNKUNG

Soweit durch geltendes Recht zulässig, haftet Xiaomi nicht für zufällige oder indirekte Schäden, Neben- oder Folgeschäden oder besondere Schadensfolgen einschließlich, aber nicht beschränkt auf, entgangenen Gewinnen oder Einnahmen sowie Datenverluste und Schäden, die aus einer Verletzung einer ausdrücklichen oder stillschweigenden Garantie- oder anderweitigen Bedingung oder aus einer anderen rechtlichen Grundlage resultieren, selbst wenn Xiaomi auf die Möglichkeit solcher Schäden hingewiesen wurde. In einigen Ländern sind Ausschluss oder Beschränkung der Haftung für indirekte oder Folgeschäden sowie besondere Schadensfolgen nicht zulässig, sodass die o. g. Beschränkung auf Sie evtl. nicht zutrifft.

## 7. KONTAKT XIAOMI

Kontaktinformationen finden Sie auf unserer Website: <https://www.mi.com/en/service/warranty/>

Der Kundendienst kann durch jede Person im autorisierten Servicenetz von Xiaomi erbracht werden, durch die autorisierten Händler von Xiaomi oder durch den Endverkäufer, der die Produkte an Sie verkauft hat. Bei Fragen Sie sich bitte an die entsprechende von Xiaomi angegebene Person.

# AVVISO SULLA GARANZIA

---

LA PRESENTE GARANZIA RICONOSCE AL CLIENTE DIRITTI LEGALI SPECIFICI E IL CLIENTE POTREBBE AVERE ALTRI DIRITTI PREVISTI DA LEGGI DEL PROPRIO PAESE, PROVINCIA O STATO. IN ALCUNI PAESI, PROVINCE O STATI, LA LEGGE PER LA TUTELA DEI CONSUMATORI PUÒ IMPORRE UN PERIODO MINIMO DI GARANZIA. ECCEPITO NEI CASI CONSENTITI DALLA LEGGE, XIAOMI NON ESCLUDE, LIMITA O REVOCA ALTRI DIRITTI CHE L'UTENTE PUÒ AVERE. PER UNA COMPRESIONE COMPLETA DEI PROPRI DIRITTI, INVITIAMO GLI UTENTI A CONSULTARE LE LEGGI DEL PROPRIO PAESE, PROVINCIA O STATO.

## 1. GARANZIA LIMITATA DI PRODOTTO

XIAOMI garantisce che i Prodotti siano privi di difetti in fatto di materiali e manodopera in circostanze di utilizzo normali e in caso di utilizzo in conformità con il manuale utente del rispettivo Prodotto, durante il Periodo di Garanzia.

La durata e le condizioni relative alle garanzie legali sono stabilite dalle relative norme locali. Per ulteriori informazioni sui vantaggi della garanzia per i consumatori, fare riferimento al sito Web ufficiale di Xiaomi <https://www.mi.com/en/service/warranty/>.

Xiaomi garantisce all'acquirente originale che il suo Prodotto Xiaomi sarà privo di difetti in fatto di materiali e manodopera in circostanze di utilizzo normali nel periodo sopra indicato.

Xiaomi non garantisce che il funzionamento del Prodotto sia ininterrotto o privo di errori.

Xiaomi non è responsabile per danni dovuti al mancato rispetto delle istruzioni relative all'utilizzo del Prodotto.

## 2. RIPARAZIONI

Nel caso in cui venga rilevato un difetto hardware e Xiaomi riceva un valido reclamo entro il Periodo di garanzia, Xiaomi (1) riparerà il Prodotto gratuitamente o (2) sostituirà il prodotto o (3) rimborserà il Prodotto, con l'esclusione di eventuali costi di spedizione.

## 3. COME OTTENERE IL SERVIZIO DI GARANZIA

Per ottenere l'assistenza in garanzia, è necessario consegnare il Prodotto, nella sua confezione originale o in una confezione simile che assicuri un grado equivalente di protezione del Prodotto, all'indirizzo indicato da Xiaomi. Ad eccezione della misura proibita dalla legge applicabile, Xiaomi può richiedere che l'utente presenti prove o prova di acquisto e / o soddisfi i requisiti di registrazione prima di ricevere il servizio di garanzia.

## 4. ESCLUSIONI E LIMITAZIONI

Se non precedentemente stipulato da Xiaomi, la presente Garanzia limitata si applica solo al Prodotto fabbricato da o per Xiaomi, che può essere identificato dai marchi, dal nome commerciale o dal logo "Xiaomi" o "Mi".

La Garanzia Limitata non si applica in caso di (a) Danni dovuti a cause naturali o di forza maggiore, ad esempio fulmini, tornado, allagamenti, incendi, terremoti o altre cause esterne; (b) negligenza; (c) uso commerciale; (d) alterazioni o modifiche a qualsiasi parte del Prodotto; (e) Danni causati dall'utilizzo con prodotti non Xiaomi; (f) Danni causati da incidenti, abuso o uso errato; (g) Danni causati dall'aver utilizzato il Prodotto per utilizzi diversi da quelli permessi o previsti come descritto da Xiaomi o con tensione o alimentazione inappropriati; oppure (h) Danni causati dal servizio (inclusi aggiornamenti ed espansioni) fornito da chiunque non sia un rappresentante di Xiaomi.

È responsabilità dell'utente effettuare il backup di qualsiasi tipo di dati, software o altri materiali che l'utente può aver archiviato o conservato nel prodotto. È possibile che i dati, il software o gli altri materiali nell'apparecchio vengano persi o riformattati durante il processo di servizio, Xiaomi non è responsabile per tali danni o perdite.

Nessun rivenditore, agente o dipendente Xiaomi è autorizzato a effettuare qualsiasi modifica, estensione o aggiunta a questa Garanzia Limitata. Se una disposizione è ritenuta illegale o non applicabile, la legalità o l'applicabilità delle disposizioni restanti non viene interessata o compromessa.

Salvo quanto vietato dalle leggi o altrimenti promesso da Xiaomi, i servizi post-vendita saranno limitati al paese o alla regione dell'acquisto originale.

I Prodotti che non sono stati debitamente importati e/o debitamente prodotti da Xiaomi e/o debitamente acquisiti da Xiaomi o da un rivenditore ufficiale di Xiaomi non sono coperti dalle presenti garanzie. Come da legislazione applicabile, l'utente può usufruire delle garanzie dal rivenditore non ufficiale che ha venduto il prodotto. Perciò Xiaomi invita l'utente a contattare il rivenditore da cui ha acquistato il prodotto.

Le presenti garanzie non si applicano a Hong Kong e Taiwan.

## 5. GARANZIE IMPLICITE

Ad eccezione della misura proibita dalla legge applicabile, tutte le garanzie implicite (incluse le garanzie di commerciabilità e idoneità per finalità particolari) avranno una durata limitata fino alla durata massima di questa garanzia limitata. Alcune giurisdizioni non consentono limitazioni sulla durata di una garanzia implicita, perciò la limitazione di cui sopra non verrà applicata in tali casi.

## 6. LIMITAZIONE DEL DANNO

Ad eccezione della misura proibita dalla legge applicabile, Xiaomi non sarà responsabile per qualsiasi danno causato da incidenti, indiretto, speciale o consequenziale, inclusi, a titolo esemplificativo ma non esaustivo, la perdita di profitti, reddito o dati o danni risultanti da qualsiasi violazione di una garanzia o una condizione espressa o implicita, o in virtù di qualsiasi altra teoria legale, anche se Xiaomi è stata informata della possibilità di tali danni. Alcune giurisdizioni non consentono l'esclusione o la limitazione di danni speciali, indiretti o consequenziali, perciò la limitazione o esclusione di cui sopra potrebbe non applicarsi per l'utente.

## 7. CONTATTI XIAOMI

I clienti possono visitare il sito Web: <https://www.mi.com/en/service/warranty/>

La persona di contatto per il servizio post-vendita può essere qualsiasi addetto della rete di assistenza autorizzata Xiaomi, un addetto dei distributori autorizzati Xiaomi o il venditore finale che ha venduto i prodotti al cliente. In caso di dubbi, contattare la persona indicata da Xiaomi.

## إشعار الضمان

يمنحك هذا الضمان محددة، وقد يكون لديك حقوق أخرى بموجب قوانين بلدك أو مقاطعتك أو ولايتك. في الواقع، في بعض البلدان أو المقاطعات أو الولايات، يمكن أن يفرض قانون المستهلك فترة الضمان الأدنى. باستثناء ما يسمح به القانون، لا تستثني XIAOMI أو تحدد أو توقف الحقوق الأخرى التي قد تكون لديك. لفهم حقوقك بشكل كامل، ندعوك لمراجعة قوانين البلد أو المقاطعة أو الولاية.

### 1. الضمان المحدود للمنتج

تضمن XIAOMI أن المنتجات خالية من العيوب الموجودة في المواد والتصنيع في ظل الاستخدام العادي واستخدامها وفقاً لدليل المستخدم الخاص بالمنتج، خلال فترة الضمان.

يتم توفير المدة والشروط المتعلقة بالضمانات القانونية بموجب القوانين المحلية المعنية. لمزيد من المعلومات حول مزايا الضمان للمستهلك، يرجى الرجوع إلى موقع XIAOMI الرسمي <https://www.mi.com/en/service/warranty/>

تضمن XIAOMI للمشتري الأصلي أن منتج XIAOMI الخاص به سيكون خالياً من عيوب المواد والتصنيع في ظل الاستخدام العادي في الفترة المذكورة أعلاه. لا تضمن XIAOMI تشغيل المنتج دون انقطاع أو خلوه من الأخطاء. XIAOMI غير مسؤولة عن الأضرار الناشئة عن عدم الامتثال للتعليمات المتعلقة باستخدام المنتج.

### 2. الإصلاحات

إذا تم العثور على عيب في الأجهزة واستلمت شركة XIAOMI خلال فترة الضمان مطالبة صالحة، فستقوم XIAOMI إما (1) بإصلاح المنتج دون مقابل، أو (2) استبدال المنتج، أو (3) رد المنتج، ولا يتضمن ذلك التكاليف المحتملة للشحن.

### 3. كيفية الحصول على خدمة الضمان

للحصول على خدمة الضمان، يجب عليك تسليم المنتج، في عيونه الأصلية أو عبوة ممانلة توفر درجة متساوية من حماية المنتج، إلى العنوان المحدد بواسطة XIAOMI. باستثناء الحد الذي يحظره القانون المعمول به، قد تتطلب منك XIAOMI تقديم أدلة أو دليل على الشراء و / أو الامتثال لمتطلبات التسجيل قبل الحصول على خدمة الضمان.

### 4. الاستثناءات والقيود

ما لم ينص على خلاف ذلك من قبل XIAOMI، ينطبق هذا الضمان المحدود فقط على المنتج الذي تم تصنيعه من قبل أو من أجل XIAOMI ويمكن التعرف عليه من خلال العلامات التجارية أو الاسم التجاري أو شعار "Xiaomi" أو "Mi".

لا ينطبق الضمان المحدود على أي (أ) ضرر ناتج عن أفعال الطبيعة، على سبيل المثال، ضربات البرق أو الأعاصير أو الفيضانات أو الحريق أو الزلازل أو أي أسباب خارجية أخرى؛ (ب) الإهمال؛ (ج) الاستخدام التجاري؛ (د) تعديلات على أي جزء من المنتج؛ (هـ) الضرر الناجم عن الاستخدام مع منتجات غير XIAOMI؛ (و) الضرر الناجم عن حادث أو سوء استخدام أو سوء؛ (ز) الأضرار الناجمة عن تشغيل المنتج خارج الاستخدامات المسموح بها أو المقصودة التي حدتها XIAOMI أو باستخدام مصدر طاقة أو جهد غير مناسب؛ أو (ح) الأضرار الناجمة عن الخدمة (بما في ذلك الترفيقات والتوسعات) التي يقوم بها أي شخص غير ممثل لشركة Xiaomi.

تقع على عاتقك مسؤولية الاحتفاظ بنسخة احتياطية من أي بيانات أو برامج أو مواد أخرى ربما تكون قد قمت بتخزينها أو حفظها على المنتج. من المرجح أن البيانات أو البرامج أو المواد الأخرى الموجودة في الجهاز سوف تُفقد أو يتم إعادة تنسيقها أثناء عملية الصيانة، ولا تتحمل XIAOMI مسؤولية هذا الضرر أو الفقدان.

لا يجوز لأي موزع أو وكيل أو موظف لدى Xiaomi إجراء أي تعديل أو تمديد أو إضافة لهذا الضمان المحدود. إذا اعتبر أي شرط غير قانوني أو غير قابل للتنفيذ، فإن قانونية أو قابلية تطبيق الشروط المتبقية لن تتأثر أو تقل فاعليتها.  
باستثناء ما تحظره القوانين أو ما تعهدت به Xiaomi، تقتصر خدمات ما بعد البيع على بلد أو منطقة الشراء الأصلي.  
لا تشمل الضمانات الحالية المنتجات التي لم تستورد و / أو لم يتم تصنيعها على النحو المطلوب من قبل شركة Xiaomi و / أو لم يتم الحصول عليها من شركة Xiaomi أو بائع رسمي تابع لها. وفقًا للقانون المعمول به، قد تستفيد من ضمانات بائع التجزئة غير الرسمي الذي باع المنتج. لذلك، تناشك شركة Xiaomi بالاتصال ببائع التجزئة الذي اشترت منه المنتج.  
لا تنطبق الضمانات الحالية في هونغ كونغ وتايوان.

#### 5. الضمانات الضمنية

باستثناء الحد الذي يحظره القانون المعمول به، فإن جميع الضمانات الضمنية (بما في ذلك الضمانات الخاصة بالتسويق والصلاحية لغرض معين) ستكون محدودة المدة حتى الحد الأقصى لمدة هذا الضمان المحدود. لا تسمح بعض السلطات القضائية بفرض قيود على مدة الضمان الضمني، لذلك لن يتم تطبيق القيود المذكورة أعلاه في هذه الحالات.

#### 6. الحد من الأضرار

باستثناء الحد الذي يحظره القانون المعمول به، لن تكون Xiaomi مسؤولة عن أي أضرار ناجمة عن حوادث أو أضرار غير مباشرة أو خاصة أو تبعية، بما في ذلك على سبيل المثال لا الحصر، خسارة الأرباح أو الإيرادات أو البيانات، أو الأضرار الناتجة عن أي حرق صريح أو ضمني. الضمان أو الشرط، أو تحت أي نظرية قانونية أخرى، حتى لو تم إبلاغ Xiaomi بإمكانية حدوث مثل هذه الأضرار. لا تسمح بعض السلطات القضائية باستثناء أو تقييد الأضرار الخاصة أو غير المباشرة أو التبعية، لذلك قد لا ينطبق عليك التقييد أو الاستثناء الوارد أعلاه.

#### 7. جهات اتصال XIAOMI

بالنسبة للعملاء، يرجى زيارة الموقع الإلكتروني: <https://www.mi.com/en/service/warranty/>  
يمكن أن يكون الشخص المسؤول عن خدمة ما بعد البيع أي شخص في شبكة الخدمات المعتمدة لشركة Xiaomi أو الموزعين المعتمدين لشركة Xiaomi أو البائع النهائي الذي قام ببيع المنتجات لك. إذا كنت في شك، فيرجى الاتصال بالشخص المعني، حيث قد تحدده Xiaomi.